

International Water Ski Federation
World Cableski Council



WORLD CABLESKI
TECHNICAL RULES

Edition 20087

Draft 1Version-1

Regional Additional Rules
2008

Contents

Cableski Technical Rules	8
Rule 1. General	8
Rule 1.1. Applicability of these rules	8
Rule 1.2. Exceptions to the rules	8
Rule 1.3. Interpretation of the rules	8
Rule 1.4. Amendments to the rules	8
Rule 1.5. Cableski World Championships Dates	8
Rule 1.6. Effectivity of the Cableski World Championships	8
Rule 1.7. Drug testing	8
Rule 1.8. Unsportsmanlike conduct	8
Rule 2. Competition entry requirements	9
Rule 2.1. Cableski World Championships entry and administration	9
Rule 2.2. Team selection	9
Rule 2.3. Non-team skiers	9
Rule 2.4. Skier eligibility	9
Rule 3. Competition events and divisions	9
Rule 3.1. Events	9
Rule 3.2. Divisions	10
Rule 3.3. Rounds	10
Rule 3.4. Schedule of events	10
Rule 3.5. Schedule changes	11
Rule 3.6. Completion	11
Rule 3.7. Starting order	11
Rule 3.8. Rating effectivity	11
Rule 3.9. Familiarization	11
Rule 4. Overall and team competition	11
Rule 4.1. Overall scoring	11
Rule 4.2. Overall calculation	12
Rule 4.3. Qualification for Overall scoring	12
Rule 4.4. Overall placement	12
Rule 4.5. Team scoring	12
Rule 5. Safety of competition and security of technical installations	12
Rule 5.1. Safety Director	12
Rule 5.2. Safety competition stoppages	13
Rule 5.3. Equipment safety	13
Rule 5.4. Unsafe skier disqualification	13
Rule 5.5. Safety boats	13
Rule 5.6. Safety boat personnel	13
Rule 5.7. On site medical facilities	13
Rule 5.8. Life jackets	13
Rule 6. Rerides	14
Rule 6.1. Reride criteria	14
Rule 6.2. Granted reride procedure	14
Rule 6.3. Request for rerides	14
Rule 7. Protests	14
Rule 7.1. Procedure	14
Rule 7.2. Reasons for protests	14
Rule 7.3. Protest submission	14
Rule 7.4. Computation errors	14
Rule 8. Installation, skis, tow lines	14
Rule 8.1. Installation	14
Rule 8.2. Skis	15
Rule 8.3. Tow lines	15
Rule 8.4. Pre-stretching of Tow lines	16
Rule 8.5. Tow lines and handles for the Trick event	16
Rule 8.6. Handles in the Slalom and the Jump event.	16
Rule 8.7. Bibs	16
Rule 8.8. Non competition supplied equipment	16
Rule 8.9. Tow lines for the Jump event	16
Rule 8.10. Spectra ropes for Jump events	16

Rule 9. Speeds and tolerances	16
Rule 9.1. Tolerances	16
Rule 9.2. Accuracy of timing devices	16
Rule 9.3. Timing for Slalom and Jumping	17
Rule 9.4. Position of Timers	17
Rule 10. Definitions	17
Rule 10.1. Competition area	17
Rule 10.2. Definition of a fall	17
Rule 10.3. Definition of skiing position	17
Rule 10.4. Start of the skier	17
Rule 10.5. Disqualification of the skier at the start	17
Rule 10.6. Team representative	18
Rule 10.7. Time of posting	18
Rule 10.8. Usage of a run off	18
Rule 11. Jumping	18
Rule 11.1. General Jump Event Conditions	18
Rule 11.2. Refusal of the skier	18
Rule 11.3. Competition area	18
Rule 11.4. Description of the Jump Ramp	19
Rule 11.5. Jumping speeds	19
Rule 11.6. Officials stopping a jump	19
Rule 11.7. Scoring of a jump	19
Rule 11.8. The result of a skier falling	20
Rule 11.9. Officials	20
Rule 11.10. Timing	20
Rule 11.11. Safety Equipment	20
Rule 11.12. Jump distance measuring	20
Rule 11.13. Description of the Johnson system	20
Rule 11.14. Use of a video jump measurement system	21
Rule 11.15. Scoring	21
Rule 11.16. Ties	21
Rule 12. Slalom	21
Rule 12.1. General	21
Rule 12.2. Refusal of a skier	22
Rule 12.3. Competition area	22
Rule 12.4. Buoys	22
Rule 12.5. A fall in Slalom	22
Rule 12.6. Scoring buoys	22
Rule 12.7. End of the slalom run	22
Rule 12.8. A miss or „riding over“	22
Rule 12.9. Slalom towers	23
Rule 12.10. Officials	23
Rule 12.11. Timing	23
Rule 12.12. Safety equipment	23
Rule 12.13. Scoring	23
Rule 12.14. Ties	23
Rule 13. Tricks	23
Rule 13.1. General	23
Rule 13.2. Refusal of a skier	24
Rule 13.3. Competition area	24
Rule 13.4. Speed	24
Rule 13.5. Start of trick pass timing	24
Rule 13.6. End of the trick pass	24
Rule 13.7. A fall before the pass	24
Rule 13.8. Use of a release or braking the cable	24
Rule 13.9. Officials	24
Rule 13.10. Communication with the Judges	24
Rule 13.11. Timing the trick pass	24
Rule 13.12. Use of the video camera	25
Rule 13.13. Credit for tricks	25
Rule 13.14. Tricks at the end of the pass	25
Rule 13.15. Trick lists	25
Rule 13.16. Calculation of the trick result	26

Rule 13.17. Trick descriptions	26
Rule 13.18. Scoring	27
Rule 13.19. Ties	27
Rule 13.20. Recommended Trick event modes	27
Rule 14. Records	27
Rule 14.1. What records are recognized	27
Rule 14.2. Competitions where records may be set	27
Rule 14.3. Jump records	28
Rule 14.4. Slalom records	28
Rule 14.5. Trick records	28
Rule 14.6. Ties in an event	28
Rule 14.7. Record forms and criteria	28
Rule 14.8. Record administration	28
Rule 15. Homologation Guidelines	29
Rule 15.1. General	29
Rule 15.2. Surveying Equipment	29
Rule 15.3. Jump	29
Rule 15.4. Slalom	29
Rule 16. Additional Rules	29
Rule 16.1. Homologation Levels	29
Rule 16.2. World Cableski Ranking List description and schedule	31
Rule 17. Cableski Officials	31
Rule 17.1. General rules for International Cableski Officials	31
Rule 17.2. Examinations of International Cableski Officials	31
Rule 17.3. Rules for 1st Class Cableski Judges	33
Rule 17.4. Rules for 2nd Class Cableski Judges	33
Rule 17.5. Rules for International Cableski Homologators	33
Rule 17.6. Rules for International Cableski Calculators	33
Rule 17.7. Rules for International Technical Officers	33
Rule 17.8. Voting of the judges	33
Rule 17.9. Placement of judges	33
Rule 17.10. Secondary positions	33
Rule 17.11. Scoring sheet availability	34
Rule 17.12. Tolerances	34
Rule 17.13. Assignment to Cableski World Championships	34
Rule 17.14. Event Judges at the Cableski World Championships	34
Rule 17.15. Rules for National Officials	34
Appendix 1. Trick values	35
Appendix 2. General Diagrams	37
Diagram 1 / Measuring the height	37
Diagram 2 / Calculation of AB	37
Diagram 3 / Handle dimensions in Slalom and Jump	37
Diagram 4 / Tow lines made with Spectra ropes	38
Appendix 3. Computer Benchmark for computed distances	38
Diagram 5 / Johnson System Setup	38
Appendix 4. Jump diagrams	40
Diagram 6 / Jump Course	40
Diagram 7 / Ramp Angle	40
Diagram 8 / Ramp setting chart	41
Appendix 5. Slalom diagrams	42
Diagram 9 / Slalom Course	42
Diagram 10 / Scoring of buoys	43
Appendix 6. Trick diagrams	43
Diagram 11 / Trick Course	43
Region EAME Cableski Additional Rules	44
Rule 1. Rules for Cableski Officials	44
Rule 1.1. Officials Cards	44
Rule 1.2. Participation in Competitions	44
Rule 2. Rules for International Cableski Homologators	44
Rule 2.1. Homologation Dossier	44
Rule 3. Rules for National Officials	45
Rule 3.1. Responsibility	45
Rule 3.2. Rights	45

Rule 3.3. Functions	45
Rule 3.4. Appointment to Panels	45
Rule 3.5. Examinations	45
Rule 3.6. List of National Cableski Officials	45

Cableski Technical Rules 2007 / Version 1

These rules supersede all previous editions and shall remain in effect until an amended edition of the rules is published. Updates, revisions and corrections for these rules can be found on the Cableski Council Homepage at <http://www.cableski.org>
Contact: Juergen.Pitz@cableski.de

These rules do not contain a list of changes from previous rules. For a list of changes please see at <http://www.cableski.org>

Published 6th May 2007.

Cableski Technical Rules

These rules have been drafted in English. In the case of a translation and conflicting interpretation only the English text shall be considered authentic.

Rule 1. General

Rule 1.1. Applicability of these rules

The rules set forth here govern cableski competitions sanctioned by the International Water Ski Federation (IWSF). With the exception of entry requirements and other administrative matters, it is recommended that Regions and Federations follow these rules as closely as possible.

Whenever the masculine is used, the same shall be construed as meaning the feminine where the context so requires.

Rule 1.2. Exceptions to the rules

Where compliance with the rules is not feasible, the Chief Judge shall, with the approval of a majority of the Appointed Judges, make the necessary changes, inform each skier by posting and send a report to the IWSF Cableski Council. Where the rules are definite and feasible, a vote of the judges to decide whether to enforce any changes is prohibited.

Rule 1.3. Interpretation of the rules

Questions of interpretation of the rules shall be referred to the IWSF Cableski Council when possible. Any interpretation made by the IWSF Cableski Council as a whole shall be considered final. Otherwise the interpretation shall be made by the majority vote of the Appointed Judges, and the Chief Judge shall make a report to the IWSF Cableski Council concerning the question.

Rule 1.4. Amendments to the rules

Amendments must be approved by a two-thirds (2/3) majority of the members of the IWSF Cableski Council. The rules may be amended at any time by the IWSF Cableski Council. The amended rules shall become effective 60 days after they are published.

Until such time as a new edition of the rules is published, the current rules, as amended by the IWSF Cableski Council, remain in effect. A unanimous decision of the members of the IWSF Cableski Council is immediately applicable.

All new tricks submitted must include a video showing the trick. If there are new tricks accepted by the IWSF Tournament Council, they can be accepted by the IWSF Cableski Council.

Rule 1.5. Cableski World Championships Dates

The Cableski World Championships shall be held biennially in even numbered years.

Rule 1.6. Effectivity of the Cableski World Championships

The inability of a country to attend the Cableski World Championships for one reason or another (including political reasons) does not require that the entire competition be cancelled or postponed or that the titles are any less world titles.

Rule 1.7. Drug testing

All competitors must agree to be subject to doping control. Specific policies and procedures regarding doping control shall under the control of the Medical Commission of the IWSF and according to the rules of the WADA.

Rule 1.8. Unsportsmanlike conduct

Any skier or his representative, or official whose conduct is deemed unsportsmanlike or whose conduct may cause discredit to the IWSF, either on or off the competition site, before, during or after the competition, may be disqualified from all or part of the competition including completed events, by a two-thirds (2/3) majority vote of the Appointed Judges and/or be subject to a fine to be determined by the IWSF Executive Board. The affected individual will be given an opportunity to present his case before a disqualification decision is made. In the case of a finding of

unsportsmanlike conduct, a report must be submitted by the Chief Judge to the Chairman of the IWSF Cableski Council. If the IWSF Executive Board assesses a fine, it will be paid by the skier's federation.

Rule 2. Competition entry requirements

Rule 2.1. Cableski World Championships entry and administration

Each Federation that is affiliated to the IWSF shall have the right to select a team of skiers to represent their Federation in the Cableski World Championships.

Each Federation shall certify to the Chairman of the IWSF Cableski Council and to the organizing committee, not later than 60 days before the scheduled start of the familiarization of the Cableski World Championships, its intent to compete. Any Federation not meeting this requirement will not be allowed to compete until they pay a fine of 200 Swiss Francs to the IWSF.

Any Federation shall certify to the Chairman of the IWSF Cableski Council, the Chairman of the Region Cableski Council, and the organizing committee, not later than 10 days before the scheduled start of familiarization of the Cableski World Championships, the names of the members of its team, the events each will enter, the ratings of each skier, as well as the names of the official reserves. Any Federation not meeting this requirements will not be allowed to compete until the Federation pays a fine of 10 Swiss Francs per skier per day after the 10-day deadline to the IWSF for each skier not officially entered. If the official entry forms are not received prior to the 24 hours before the start of official familiarization, the Federation shall not be entitled to official familiarization and its skiers shall be placed in the lowest seeded group without reference to their performances.

Rule 2.2. Team selection

Each team shall consist of a maximum of 6 skiers, with the further limitation that no team may have more than 4 men or 4 women.

Each Federation shall furthermore have the right to nominate two reserve skiers to its team, to replace any injured skier, provided the maximum number of 4 men or 4 women is not exceeded.

Rule 2.3. Non-team skiers

Skiers not selected for their national team may qualify to compete in the Cableski World Championships as individuals in their event if they meet one or more of the following criteria:

- a) World Cableski Record Holder. The Skier must have performed the record at least 45 days before the first day of familiarization of the Cableski World Championships and have his performance ratified by the IWSF Cableski Council at least 15 days before the first day of familiarization of the Cableski World Championships.
- b) Reigning World Cableski Champion in that event (Slalom, Tricks or/and Jump) in which they defend their title.
- c) Ranked in ~~one~~the IWSF World Cableski Ranking List of the last 2 years in the top 10% men or women in any event excluding overall. The numbers will be rounded to the nearest full digit. ~~The Ranking List shall be the most recently published list.~~

All skiers qualified as individuals must be entered by their federation.

Rule 2.4. Skier eligibility

A Federation may select its team in any manner it desires; however each team member must be a citizen or applying for citizenship of the country the Federation represents. In case of doubt as to the nationality of a competitor, the Judges normally will refer to his passport. If the competitor does not have a passport from the country for which he is skiing, he must prove residence in that country for at least the last 5 years and membership of that Federation. Each Federation shall certify to the Judges that all members of its team meet these qualifications.

Rule 3. Competition events and divisions

Rule 3.1. Events

The events in a competition are Jumping, Slalom and Tricks, with a winner and succeeding places determined in each event. A winner and succeeding places shall also be determined for the Overall as described in Rule 4.1 and in case of a team scoring for the national teams as described in Rule 4.5.

Rule 3.2. Divisions

Competition in each event shall be separated into a Men's and a Women's division.

Division	Age	Max. Slalom Speed	Max. Jump Speed	Ramp Heights
Open	No limitation	Men: 58 Women: 55	Men: 57 Women: 54	Men: 1.50 or 1.65 or 1.80 Women: 1.50 or 1.65
Juniors under 15	Under 15 ⁽¹⁾	Men: 58. Women: 55	Men: 51 Women: 48	Men: 1.50 Women: 1.50
Juniors under 19	Under 19 ⁽¹⁾	Men: 58 Women: 55	Men: 54 Women: 51	Men: 1.50 or 1.65 Women: 1.50
Seniors 1	35 years or over	Men: 55 Women: 55	Men: 57 Women: 54	Men: 1.50 or 1.65 Women: 1.50
Seniors 2	45 years or over	Men: 55 Women: 55	Men: 54 Women: 51	Men: 1.50 Women: 1.50
Seniors 3	55 years or over	Men: 55 Women: 55	Men: 51 Women: 48	Men: 1.50 Women: 1.50

For the Cableski World Championships all skiers will be considered as participating in the Open division.

Rule 3.3. Rounds

Each event shall consist of two rounds: a preliminary round and a final round.

A skier must score (more than 0) in the preliminary round to qualify for the final.

The number of skiers qualified to ski in the final of an event shall be determined as shown in the following table:

Number of Skiers (Team and Non-Team) which have participated in the Preliminary round	Number of Skiers (Team and Non-Team) in Finals
1 – 5	All
6 – 10	First 5
11 – 142	First 6
1531	First 7
156 – 19	First 8
20 – 24	First 109
25 or more	First 1210

If there is a tie for the last place in the finals ~~between two skiers both skiers will go into the Finals. In case of more there are more than two skiers, there will be a run-off between the tied skiers.the Chief Judge shall decide whether to:~~

- ~~-have a run-off between the tied skiers;~~
- ~~-have less than the allowed number of skiers in the finals;~~
- ~~-have more than the allowed number of skiers in the finals.~~

Rule 3.4. Schedule of events

Not later than 2 months before the start of the competition, the Competition Chairman shall send to each affiliated Federation, a schedule showing the days on which official familiarization and the days on which the competition events will be held. The schedule of events for both preliminary and final round shall be drawn up by the Chief Judge, the Chairman on the IWSF Cableski Council and the Competition Chairman and posted prior to the start of official familiarization. This list shall include starting times for each day. A schedule of starting times for individual events, if shown, shall

¹Up to & including year of birthday

be for guidance of the skiers only and any deviation shall not constitute a change. It is recommended that jumping be scheduled as the last event in both the preliminary and final rounds.

Rule 3.5. Schedule changes

Changes in the schedule during the competition shall be made only for weather, water conditions, safety, or a similar reason. A majority of the Appointed Judges must approve the change and all affected skiers shall be notified by posting. Although schedule changes are to be discouraged, the judges should not hesitate to make adjustments required for safety.

Rule 3.6. Completion

Once the competition has started, the judges do not have the authority to cancel any event, except in the case of a definite safety hazard. In case a final round of an event for any division can not be completed, the results of the preliminary round of that event and that division will be used to determine the placements for that event and division.

Rule 3.7. Starting order

The day before the start of a preliminary round the entry list shall be closed and thereafter the order of skiers made by random draw and posted. No change in this order is allowed except that a team representative may:

- Withdraw a skier from competition.
- Replace, with the authority of the Chief Judge and before the start of the first event, that is to say before the first skier taking part in the first event has started, an injured skier by a qualified official reserve from the same team. The substitute skier shall start first in the seed in which he is qualified unless the draw has not yet been completed.²

The competitors will be drawn in the following manner: List of competitors will be drawn up in order of performance in each event for both men and women. Skiers will then be divided into seeded groups of a size decided by the Chief Judge and each group will then be drawn separately (c.f. However Rule 11.1 for jumping order in the Jump event).

The Event Judges may reverse or change the starting order of these groups according to the prevailing conditions.

The order of the skiers qualified for the final round in any event shall be the reverse of their order of placement in the preliminary round of that event.

The order of skiers tied in placement shall be settled by random draw.

Performances will be taken from the previous years Cableski Standing List or from the skier's Performance booklet if available.

Rule 3.8. Rating effectivity

Performance booklets shall be certified under the responsibility of the Chairman of the Cableski Council of the Region or his designated representative, based on performance in competitions sanctioned by the IWSF, a Region or an Affiliated Federation. Performances recorded in cableski competitions, in the current calendar year and the previous calendar year are valid for this purpose. Performance booklets so certified shall be accepted by the Judges without further examination.

Rule 3.9. Familiarization

The skiers will be permitted to familiarize themselves with the installation and jump ramp under the authority and the responsibility of the Chief Judge. Each skier participating in familiarization shall be allotted either a set number of rounds and / or a certain amount of time at the discretion of the Chief Judge based on the principle that every skier shall receive an equal opportunity for familiarization.

The schedule for familiarization shall be decided by the Chief Judge. The Chief Judge shall have the discretion to change the start time of an individual's or team's familiarization based on extraordinary circumstances.

[As guidance for Organizers: if practice is to be offered at a cost \(unofficial familiarization\), then a deadline date should be set by which time all requests must be submitted. After this date practice times should be allocated to ensure all countries have an equal opportunity according to their request.](#)

²Alterations due to ramp height changes or shared equipment can be accepted until the end of the official familiarization.

Rule 4. Overall and team competition

Rule 4.1. Overall scoring

Each skier shall be awarded in each event a certain number of overall points according to the computation of his better score in either the preliminary or final round.

Rule 4.2. Overall calculation

For Tricks:

Overall points = (Trick score skier*1000) / Best Trick score of division.

For Slalom:

Overall points = ((Slalom score skier + extra buoys)*1000) / (Best Slalom score of division + extra buoys).

The extra buoys are counted from the minimum start speed for each division. For each higher start speed or rope length an additional 6 buoys is added.

The minimum start speeds from where extra buoys are given for the divisions are:

Junior under 15 Girls: 37 km/h

Junior under 15 Boys, Junior under 19 Girls: 40 km/h

Junior under 19 Boys, Open Women, Seniors 1 Women: 43 km/h

Open Men, Seniors 1 Men: 46 km/h

For a skier to receive credit for these extra buoys, he must have successfully completed his first pass.

For Jump:

Overall points = ((Jump score skier – Deduction)*1000) / (Best Jump score of division – Deduction)

Deduction:

Junior under 15 Girls, Junior under 15 Boys: 0.

Junior under 19 Girls, Senior Women: 5.

Open Women, Junior under 19 Boys, Senior Men: 10.

Open Men: 15.

A skier's overall score in Jump shall not be reduced below zero.

Rule 4.3. Qualification for Overall scoring

To be considered for Overall standings, a skier must have scored in all three events, even if the result is 0. To receive points he must have reached the competition area of the event. In case a skier falls before entering the competition area or his refusal to enter the competition area is not accepted by the judges, this will be counted [as a start but he will not receive overall points for this event](#) as if he did not start.

Rule 4.4. Overall placement

Places in the Overall Championship shall be determined by adding each skier's Overall points in all three events. If a majority of the Appointed Judges decide that it is physically impossible to complete the final round of one or more events (jumping, slalom or tricks) of any division, only the overall points from the preliminary round of all the events of that division will be used.

Rule 4.5. Team scoring

For calculating a team overall score, the best three Overall scores, men or women, in each event in the preliminary round, shall be added together. The performance by a skier who is entered as an individual shall not be taken into consideration in the calculation of the team score.

Rule 5. Safety of competition and security of technical installations

Rule 5.1. Safety Director

At least 2 months before the competition, the organizing Region Cableski Council shall appoint a Safety Director, who will appoint such assistants as appear necessary, and inform the President of

the IWSF and the Chairman of the IWSF Cableski Council. The Safety Director shall be responsible for the safe conditions of all equipment, facilities and operation of the competition; but this shall not prevent him from delegating specific responsibilities to his assistants as approved by the Chief Judge. He shall have the authority to take whatever action is necessary including stopping the competition whenever he observes a condition he believes unsafe. The Chief Judge may overrule any contemplated action or decision of the Safety Director on his own responsibility.

Rule 5.2. Safety competition stoppages

Should the Safety Director stop a competition for any reason, disqualification time periods shall not run as long as the competition is stopped.

The Safety Director should remain near the competition area as much as possible.

Rule 5.3. Equipment safety

The Safety Director shall determine whether equipment to be used by a skier meets safety specifications.

Rule 5.4. Unsafe skier disqualification

No skier shall be allowed to compete or to continue to compete if, in the opinion of the Safety Director and a majority of the Event Judges, his competing would be a danger to himself or other skiers in the competition. During the competition, the Safety Director may, at any time, request the Chief Judge to halt the competition for a poll of the Event Judges in regard to a skier's actions or conditions. Whenever practical, the advice of the medical officer should be obtained.

Rule 5.5. Safety boats

It is recommended to use one safety boat positioned in the inside of the cable during all events and familiarization times, facing the competition area or the skier's anticipated point of landing in jumping. In jumping an additional swimmer is recommended. The motor of the rescue boat shall be running during the competition and the familiarization.

Rule 5.6. Safety boat personnel

The safety boat will be manned by:

- a) An experienced driver who is familiar with the conduct of all competition events and familiarization.
- b) A swimmer, also familiar with all competition events and familiarization and ideally being fully trained in First Aid, Emergency Resuscitation and Water Rescue Techniques (as outlined in the IWSF Safety Manual).

The swimmer will wear a life jacket at all times and, in the event of a serious fall, will jump into the water to assist the skier. If the injured skier is unable to climb into the safety boat with little or not assistance, the skier will be floated to the shore and lifted from the water on a suitable board or stretcher. Under no circumstances will an injured skier be lifted passively over the side of the safety boat.

IT IS EMPHASIED THAT, IN INTERNATIONAL COMPETITION, LANGUAGE DIFFICULTIES MAY INTERFERE WITH COMMUNICATION; AND FOR THIS REASON, THE SWIMMER MUST GET INTO THE WATER TO ASSIST THE INJURED SKIER.

Rule 5.7. On site medical facilities

The Safety Director will appoint a Competition Medical Officer who will undertake to provide the following services:

- a) A suitably qualified medical officer will be in attendance during all familiarization and competition events.
- b) A suitably equipped medical station prepared to deal with any sort of medical emergency will be conveniently located at the competition site.
- c) Suitable transportation facilities that will allow an injured skier to be moved safely and promptly to the best local medical unit for further care.
- d) A working relationship will be established between the local hospital or medical unit and the Competition Medical Officer, such that casualties will get prompt and expert treatment when required.

Rule 5.8. Life jackets

A life jacket must meet the following specifications:

- a) It must be smooth and soft and free from attachments or material likely to cause injury in a fall.
- b) It must be constructed and fastened in such a manner that it is unlikely to be torn loose or damaged so as to render it useless in a hard fall.
- c) It must float the skier.
- d) It must not be an inflatable device.
- e) It must be constructed so as to provide adequate protection from impact damage to the ribs and internal organs. A normal wet suit shall not be considered adequate protection in this respect.

Rule 6. Rerides

Rule 6.1. Reride criteria

When unfair conditions or a malfunction of the equipment supplied by the organisers occurs, which, in the opinion of a majority of the Event Judges adversely affect a skier, he shall be granted the option of a reride only on the passes affected. When the skier receives an unfair advantage, the reride is mandatory. When taken, the reride is scored except in the specific cases in Jumping and Slalom (see Rule 11.10, Rule 11.13 and Rule 12.11).

Rule 6.2. Granted reride procedure

Rerides must be taken as soon as technically possible after they are granted (c.f. Rule 11.10 for Jump rerides and Rule 12.11 for Slalom rerides). If consecutive rerides are granted, the skier has the option for a 5 minute rest before continuing. If the skier elects to take a 5 minute rest, the next skiers in order shall ski, and the reride shall be taken at the conclusion of the skier's run during which the 5 minute rest period expires.

Rule 6.3. Request for rerides

Request for rerides may be initiated by an Event Judge or the Technical Officer before the next skier starts or may be initiated, as soon as possible, by the skier or his team representative and shall be decided as soon as practicable thereafter. If, in the opinion of the Event Judges, the request was not initiated as soon as possible after the skier skied, the request shall be denied.

Rule 7. Protests

Rule 7.1. Procedure

Protests shall be made to the Chief Judge only by a team representative and shall be considered by the Event Judges. Protests must be in writing, must state the reason(s) for the protest and must be filed as soon as possible, but not later than 30 minutes after the results of the event are announced and the Judges' scoring sheets are available for inspection.

Rule 7.2. Reasons for protests

Protests shall be allowed only for failure of the Organisers or Officials to comply with these rules and only if this non-compliance with the rules has an adverse effect on a skier. No protest shall ever be permitted on a judgement decision by the Judges.

Rule 7.3. Protest submission

Protests must be accompanied by the approximate equivalent in local currency of 50 Swiss Francs. This amount will be refunded if the protest is considered reasonable by the Event Judges.

Rule 7.4. Computation errors

A correction of an error in the computation of scores shall not be considered a protest and the correction shall be made on the approval of the Chief Judge and Chief Calculator if requested within 2 hours after the results of the event are announced and the Judges' scoring sheets are available for inspection.

Rule 8. Installation, skis, tow lines

Rule 8.1. Installation

The installation shall be a 10 mm cable with a competition area between two deflection pulleys with a minimum distance of 300 m for the Slalom and the Jump competition areas, shall turn counter clockwise and shall have the power necessary to attain and maintain the required speeds.

At least half of the carriers should be prepared for the competition. Should a carrier disconnect twice, the tension should be re-tensioned immediately or another carrier should be tensioned for competition conditions. Either the even or odd carriers should be trimmed.

From the organising committee at least 1 person should be present who knows the installation and is responsible for it. The installation must be in optimal technical condition, in order to guarantee a smooth running of the competition.

The installation must have a speedometer calibrated between 25 km/h and 60 km/h.

Rule 8.2. Skis

The maximum ski width shall not exceed 30 percent of the overall length.

Any type of fixed foot bindings may be used.

Any type of fixed fins may be used.

Devices affixed to the ski intended to control or adjust the skiing characteristics of the ski are allowed as long as they are fixed in that they do not move or change during actual skiing.

No other devices are permitted.

Skis must be safe. There must be no unnecessary sharp or abrasive (to the touch) attachments to the ski which could, in the opinion of the Safety Director, inflict injury to the skier should he come in contact with the ski in a fall.

Rule 8.3. Tow lines

This rules mention two types of lengths of towlines; the effective and the horizontal length. The effective length is calculated, based on the given horizontal length and the measured average height of the cable.

Calculation of the average height of the main running cable „AB“ = (Height of the entry wheel „H1“ + height of the main running cable in the middle „H2“ + height of the exit wheel „H3“) : 3.

$$AB = \frac{H1 + H2 + H3}{3}$$

When „H2“ is measured with a loading of 70 kg on the cable (see Diagram 1).

Diagram 2 shows the relations between the horizontal length of a line, the effective length and the height of the cable. The distance AB is the height of the cable. The corner ABC is a 90° angle. Point A is the end of the line that is fastened to the main running cable. Point C is the handle. The distance AC is the effective length of the line. The distance BC is the horizontal length of the line.

When the height AB of the cable and the horizontal length BC is given, the effective length shall be calculated with the help of the next formula:

$$AC = \sqrt{AB^2 + BC^2}$$

All line lengths given in this rules are the horizontal lengths.

The organizer shall furnish single-handle tow lines as in (d) below, made of 6 mm, single braided, monofilament line of plastic material, with the handles and line meeting the following specifications:

a) Number of strands = 12.

Number of yarns each strand = 60.

Diameter at 5,5 kg load = 6,3 mm.

Weight per meter = 16,0 g to 23,0 g.

Breaking load, minimum = 590 kg.

Elongation at 115 kg tensile load = 3,2 % maximum.

All measurements of towlines shall be made at 20 kg tension and shall be made between the centre line of handle at the point furthest from the end of the trimball.

b) The handle shall be made of 2,50 to 2,80 cm outside diameter material with no sharp edges or projections, with a non-slip surface or coating. The attaching ropes must in all cases go through the

handle and must be attached so there is no possibility of movement between the rope and the handle when in use. The minimum certified breaking load of the handle shall be 270 kg applied at the rate of 290 kg for a minute at two load points 9 cm apart at the centre of the handle with the ends supported at the rope holes.

c) Tow lines should be prepared as follows: 6 lines of 18,25 m, 5 of 16,00 m and 14,25 m and 2 of the shorter lengths. A tolerance of ± 15 cm on the distance from the end of the trimball to the middle of the handle is allowed for ropes till 14,25 m. From the 13,0 m rope on the tolerance is reduced to $\pm 7,5$ cm.

d) The tow rope shall consist of the following parts:

- the handle with a length of 1,50 m (only for Slalom and Jump)
- the tow rope
- the trimball and cable

e) Dimensions shall be as in Diagram 2.

Rule 8.4. Pre-stretching of Tow lines

All ropes should be pre-stretched to insure tightness of the splices before measurement.

Rule 8.5. Tow lines and handles for the Trick event

The towlines in the trick event are 14,50 m with a loop at the end (that is a 16 m line without the handle portion). The skier must furnish his own handle for the trick event of any length, dimension or material.

Rule 8.6. Handles in the Slalom and the Jump event.

Skiers in Slalom and Jump are required to use competition supplied handles. Organizers shall furnish a minimum of 6 identical handles as described in Rule 8.3.

Rule 8.7. Bibs

It may be required that skiers must wear identifying bibs while skiing. The bibs must be of a design approved by the Chairman of the IWSF Cableski Council for the Cableski World Championships or by the Chief Judge and the Safety Officer for any other competition. The central feature of the bib will be an identifying number on both the front and back of the bib. The individual digits of the number must be a minimum of 15 cm in height and be clearly visible from a distance. The design must allow for use of an arm sling in jumping and also be snug so that it does not interfere with the free movement required in tricks. The bibs will be given to each team captain before the competition for distribution to his team. Spare bibs, with no numbers, should be available at the starting jetty in case a skier's bib is damaged and unusable. Skiers must wear the bib with the number assigned to them only.

[In case a skier started without wearing his bib, he will be disqualified for the remainder of this event and shall receive no points for this run.](#)

Rule 8.8. Non competition supplied equipment

The use of such equipment is at the skier's own risk, and any failure of such equipment shall not be considered as the basis for any requests for reride.

Rule 8.9. Tow lines for the Jump event

The horizontal length for the towlines in the jump event is 18,25 m.

Rule 8.10. Spectra ropes for Jump events

On an experimental basis the use of Spectra ropes is allowed for Jump events. For the time being these events shall be limited to non-titled competitions or special Jump competitions. If the organiser decides to use Spectra ropes, this shall be announced in the invitation. A minimum of 5 lines shall be prepared and shall be used by all skiers. The complete rope shall consist of a 1,25m piece made of standard rope as described in Rule 8.3, which shall work as designated breaking point, a part made of Spectra rope, and the handle (see Diagram 4).

Rule 9. Speeds and tolerances

Rule 9.1. Tolerances

All average speeds in Slalom, Tricks and Jumping shall be accurate to $\pm 0,5$ km/h. For a speed to be considered accurate in any event, the *average* speeds recorded in the course, as noted by the official, must be within the tolerances allowed. The speed may vary a maximum of $\pm 0,5$ km/h for a distance before entering the competition area and has to be maintained until the skier is out of the competition area, except for Rule 11.5.

Rule 9.2. Accuracy of timing devices

Any timing device used in a competition must be checked for accuracy by the Homologator or the Chief Judge.

Rule 9.3. Timing for Slalom and Jumping

The timing for Slalom shall start when the skier's carrier passes the last deflection pulley before the slalom course and ends when the skier's carrier passes the first deflection pulley after the slalom course.

Timing for Jumping will be taken between the two carriers immediately following the skier's carrier.

The timing starts when the first carrier after the skier's carrier passes the deflection pulley before the ramp and ends when the second carrier after the skier's carrier passes that deflection pulley.

An automatic timing should be used during the same periods, except in case of a fall of the skier, where the automatic timing is stopped at the moment of the fall.

N.B. An "automatic timing" means a device that determines the average speed in the time between the starting and stopping the device measuring.

Rule 9.4. Position of Timers

There shall be two officials for timing in Slalom and Jumping. The Official Timer shall be located at the most appropriate position. The Backup Timer may be located on one of the judges towers and shall govern in the event that the Official Timer fails to get an accurate time for some reason. The timer shall observe and record all timings, and deviations, on each pass, and shall inform the responsible official about any deviations that exceed the tolerances in Rule 9.1.

Rule 10. Definitions

Rule 10.1. Competition area

[The competition area is defined between the deflection pulleys before and after the Trick, Slalom and Jump course.](#) The competition layout and dimensions are shown in Diagram 6, Diagram 9, and Diagram 11. No buoys or markers other than those indicated and buoys for video jump measurement systems are permitted within the competition area except to mark safety hazards, landing or starting areas or turning buoys. Any such buoys shall be distinguishable from competition buoys and shall be pointed out to the skiers at the start of the competition.

A skier enters and leaves the competition area when his carrier goes around the pulley which marks the beginning or the end of the competition area.

Any changes in the layout between the practice and the competition (moving of buoys, removal of buoys) shall be notified to the skiers, if possible before the practice.

Rule 10.2. Definition of a fall

A fall in any event is defined as accomplished at the moment any one of the following occurs:

- a) The skier loses possession of the towline.
- b) The skier does not have at least one ski on one foot.
- c) The weight of the skier is not supported by his ski or skis; and in addition, the skier is ultimately unable to regain skiing position. In Slalom and in Jump the skier may not recover by making a tumble turn. A recovery by making a tumble turn BEFORE the course shall not be considered as a fall.

Rule 10.3. Definition of skiing position

Skiing position is defined as that position in which all of the following exists:

- a) The skier has possession of the towline.
- b) The skier is riding forward or backward with a ski or skis on his feet.
- c) The weight of the skier is entirely supported by his ski or skis, or the skier is ultimately able to regain good balance.

Rule 10.4. Start of the skier

The skier is considered to have started when the marked carrier of the main running-cable connects with the ski line.

Rule 10.5. Disqualification of the skier at the start

Each skier who is not ready to start when the marked carrier connects with the ski line shall be disqualified for the remainder of that round in that event.

In the case where a skier has been disqualified or has been scratched the next skier shall start as soon as technically possible.

If necessary there shall always be a skier ready to ski in case an unforeseen empty run occurs. This forerunner will then ski one round before the next competitor starts.³

The skiers will make every effort to return to the starting jetty without undue delay when they are still skiing in the same event.

Rule 10.6. Team representative

Each Federation shall select a team representative whose name shall be given to the Chief Judge before familiarization starts. The team representative shall represent all skiers from his federation. An alternative team representative may also be named.

Rule 10.7. Time of posting

The time of posting is when the signed results are posted.

Rule 10.8. Usage of a run off

The result performed in a run off will only be used for determination of final placement for the event. This means that this result will not be used for overall score, record setting, ranking list performances and performance booklets entries.

Rule 11. Jumping

Rule 11.1. General Jump Event Conditions

Each skier shall be entitled to three registered jumps or passes or falls in the preliminary round and three registered jumps or passes or falls in the final round.

The jumps must be done singly. The skier is not allowed to take the jumps consecutively, unless there is only one skier on that jump height.

For the allowed ramp heights for each division and age category see Rule 3.2. Skiers of one division and age category jumping at the same ramp height will be drawn together and the skiers jumping on the lowest ramp height will be jumping first.

It is recommended to group skiers of different divisions and age categories jumping on the same ramp height together.

If a skier chooses to change his ramp height for the final round, he should announce this to the Chief Calculator within two hours after the preliminary round jump results are posted.

Only the length of the jump will be considered no matter what ramp height is chosen by the skier.

A fall shall not eliminate the skier from the following pass provided that fall is a result of a jump.

Rule 11.2. Refusal of the skier

A skier may refuse to enter the jump course on each jump by raising one arm in the air. He shall

³Using a forerunner should be as little as possible, e.g. an exaggerated use of the forerunner is not encouraged by the Cableski Council. Cases where a forerunner can be used:

- Slalom: Before the first skier and in case of an unforeseen empty run. In case just one skier is left to ski (all others are already out of the competition) the usage of a forerunner is not encouraged.

- Tricks: Before the first skier.

- Jump: Before the first skier, to check the measurement system.

not be penalized for so doing providing this refusal was for a reason judged acceptable by the Event Judges. The skier must be ready to ski immediately after the decision of the Event Judges. Should the skier not be ready or should the reason be judged not acceptable by the Event Judges, he loses the right for this jump and this jump will not be considered as a registered jump. A jumper shall receive no further jumps in a round, if on a definite cut to the ramp, the jumper elects to pass between the ramp and the main running cable, whether or not he retains the tow rope.

Rule 11.3. Competition area

The competition area begins at the last deflection pulley before the ramp and finishes at the next deflection pulley after the ramp (see Diagram 6).

The ramp must be situated between 180 m and 190 m after the first deflection pulley of the competition area. There shall be a buoy at 140 m and one at 160 m before the ramp. These buoys will act as guide buoys for the skiers, to start their cut.

If the jump course and the slalom course are incorporated into each other, the 140 m and the 160 m buoys shall be in a different colour than the slalom buoys.

Rule 11.4. Description of the Jump Ramp

The jump ramp shall be an inclined plane with an apron on the right-hand side. The ramp shall meet the following specifications:

- a) Width: 3,70 m to 4,30 m at all points. 4,20 m to 4,25 m is recommended.
- b) Length out of water: 6,40 m to 6,80 m at all points.
- c) Length under water: 50 cm minimum.
- d) Ratio of ramp height at take off edge to ramp length out of water: $0,235 \pm 0,003$ (1.50 m) or $0,255 \pm 0,003$ (1.65 m) or $0,271 \pm 0,003$ (1.80 m).
- e) Ratios are to be computed on both sides of the ramp, and the ramp height at the take off edge at the two corners may differ by no more than 2,5 cm (see Diagram 8).
- f) The surface must be flat with a maximum deviation of 2,5 cm from plane.
This will be verified by two measurements:
 - Place a taut string from the lower right corner (jump course side) of the surface of the upper left corner of the surface and measure the maximum distance between the ramp surface and the string.
 - Place a taut string from the bottom center of the surface to the top center of the surface and measure the maximum distance between the ramp surface and the string.These distances are to be recorded and must not exceed 2,5 cm as stated above.
- g) An apron shall extend the full length of the ramp on the right-hand side and be at least 30 cm under water when the ramp is set for the 1,80 m height. Ramp aprons shall be of different colour or shade from the ramp surface so as to provide a satisfactory contrast between apron, water and ramp surface. The apron shall have a minimum angle of 40° and a maximum of 50°. The recommended angle is 45°.
- h) 6,40 m and 6,80 m length markings, clearly identified, shall be placed on the ramp surface so that they are readily visible. A line visible from shore shall be painted at the center of and just below the take off edge for meter sighting purposes.
- i) The jumping ramp must be securely anchored in place so that the center take off edge will not vary more than the sighted width of the cross hair on both meters after coming to static rest. „Static rest“ is the position assumed by the ramp in ambient water not affected by skier's wakes or backwash.
- j) All measurements of the ramp shall be made under competition conditions, including the weight of watering equipment and not including the weight of a skier.
- k) It is recommended that all fibreglass jump surfaces are of a red-orange colour. Wax surfaces on wood will remain their natural colour.

Rule 11.5. Jumping speeds

The speeds for the jumping event shall be at the option of the skier up to following maximum speed of the skiers division and age category as per Rule 3.2.

The maximum jump speed will be lowered only by increments of 3 km/h.

Following jump speeds will be used: 39 km/h, 42 km/h, 45 km/h, 48 km/h, 51 km/h, 54 km/h , 57 km/h.

The skier can elect his startspeed, provided that it is not more than 15 km/h lower than the elected jumpspeed. Immediately after the carrier has passed the last deflection pulley before the ramp, the speed will be brought from the startspeed to the jumpspeed. Decelerations of the cable from jumpspeed to startspeed starts immediately after the skier hits the water after the jump. The rate of

deceleration will be the same as the rate of acceleration from start speed to jump speed and should be as fast as possible.

N.B.: The start speed is the speed the cable has to have before the skier enters the competition area, means before the carrier passes the last deflection pulley before the ramp. The skier can leave the starting jetty with a lower speed.

Rule 11.6. Officials stopping a jump

A jump shall not be registered should the Judges decide that there is a hazard because of dangerous water conditions or other reasons. A judge shall then inform the Technical Official to lower the speed.

Rule 11.7. Scoring of a jump

A jump shall be scored when the skier passes over the ramp, lands and skies until the carrier passes the pulley after the ramp without falling.

The cable can be stopped after the carrier passes the pulley to avoid a dangerous situation for the skier.

The distance shall be communicated after each scoring jump. If the distance of a skier has not been communicated before he is due to take his next jump, he may request his distance before starting.

Rule 11.8. The result of a skier falling

Every time a skier falls from the time he has started until the carrier goes around the deflection pulley after the ramp, it shall count as a registered jump, for which he receives no score.

Rule 11.9. Officials

There will be three judges for the event.

Rule 11.10. Timing

The Technical Officer shall observe the accuracy of the speeds and speed changes.

When the jump speed is above the maximum allowable a rerun is mandatory. If the speed chosen is below the maximum and the speed is out of tolerance, the skier shall have the option of a reride as long as the maximum speed tolerance was not exceeded, in which case the reride is mandatory. In case of a mandatory reride, the pass leading to the reride will not be scored.

If the jump speed is below the minimum allowable, the skier has an optional reride.

In case of an optional reride, the jump shall not be scored less than the distance obtained in the pass leading to the reride.

If a rerun is given because of an error in speed, it must be taken immediately, or, in the case of a fall, when the skier returns to the start dock.

Rule 11.11. Safety Equipment

All skiers in jumping events must wear approved life jackets and suitable helmets.

Rule 11.12. Jump distance measuring

There are three approved jump measuring systems:

- The Johnson system.
- The Böttcher Video measurement system.
- The Corson Video measurement system.

All systems must be checked and approved by the Homologator after installation.

Also other system can be used if checked and approved by the Homologator.

Rule 11.13. Description of the Johnson system

When using the Johnson system the jump distances are measured by a system of meters measuring the subtended angles provided by 3 meter stations, each consisting of two meters.

To insure accuracy, it is recommended that each meter station be no more than 70 m from the point of landing.

Jump distances are to be calculated through the use of a computer. Any computer program used for this purpose must be verified by passing the benchmark tests included in this rules. The ramp setup must give proper triangles as described in the benchmark.

The point of landing is defined as the center of the inscribed circle which is tangent to all three sides of the triangle formed by the three average sightings from the meter stations. The distance is calculated from the landing point back to the ramp. The size of the triangle is defined as the diameter of that inscribed circle.

If the top and bottom sightings from any single meter station are more than 0,6 m apart at the point of landing, then the average value and the single sighting with the smaller value will each be tried in turn, and whichever of these produces the smaller triangle will be used to derive the official distance.

If the official resolution of a particular set of sightings, according to the above rules, produces an official wide triangle, and that set of sightings included a spread in excess of the 0,6 m test limit AT ONLY ONE of the meter stations, which yielded the smaller triangle size by using the average rather than the shorter reading alone, then the longer reading from that station may be tried alone, and used as official, if it eliminates the wide triangle.

On a given jump when the diameter of the inscribed circle obtained by the angular measuring system is greater than 0,6 m, the skier will have the option to either take the jump over again or accept the shortest distance measured from a corner of the triangle provided that on any of his preceding or following jumps, the measured distance does not exceed the distance to the furthest corner of the large triangle. In the case where one of the preceding or following jumps does exceed the distance to the furthest corner, the official score of the wide triangle jump will be the shortest vertex.

In the case where a competitor decides to take the jump over again, the competitor's distance on the reride may not exceed the distance measured to the furthest corner of the large triangle of the disputed jump but will not be less than the distance measured to the nearest corner of the large triangle of the disputed jump. Multiple rerides are to be resolved sequentially in the order in which they occurred.

Jump distances shall be measured from a point at the water line directly below the center of the top edge of the ramp to the point where the heels of the skier reach their maximum depression in the water (as normally indicated by the „spout“ of water rising after the skier's landing).

Rule 11.14. Use of a video jump measurement system

If video jump measurement is used, the distance shall be measured to the skier's point of impact in the water closest to the ramp (first point of impact) and then an adjustment offset of 2,1 m shall be added.

For the video system, there shall be two designated officials ~~who can also be chosen from amongst the event judges,~~ who shall jointly agree on the impact point. ~~These officials can also be event judges if they have a full and direct view of the jump course.~~ The calculated distance shall not be displayed until the impact point is decided upon.

Videotaping or a Johnson system may be used as backup.

Rule 11.15. Scoring

Jump distance shall be scored in increments of 10 cm only.

The longest jump of each round will be the only one counted. The skier's result from the final round will determine his placement in the event. If a majority of the Appointed Judges decide that it is physically impossible to complete the final round of the event, placement will be from the results of the preliminary round.

The better result obtained by the skier, in either the preliminary or the final round, shall count towards the individual overall.

To be considered for placement ~~and receive overall points,~~ the skier must have started in this event.

Rule 11.16. Ties

If a tie exists for first place, it shall be run off. If a tie exists for second or third place, placement shall be decided on the basis of the higher preliminary round score. If a tie still exists, it shall be run off. The run off shall have a new drawing of order. Each tying skier shall be allowed two jumps with the longer jump being scored according to Rule 11.15. Repeated ties shall be run off in the same manner until broken.

Rule 12. Slalom

Rule 12.1. General

The skier shall follow the main running cable around the deflection pulley before the slalom course, pass around the outside of all 6 buoys, and after rounding the 6th buoy, proceed through the end gate, and ski until the carrier has passed the deflection pulley after the slalom course to qualify for the next pass.

At the maximum slalom speed the following tow lengths shall be used:

1 st pass	18,25 m rope
2 nd pass	16,00 m rope
3 rd pass	14,25 m rope
4 th pass	13,00 m rope
5 th pass	12,00 m rope
6 th pass	11,25 m rope

In any further passes, the rope shall be shortened by half a meter. If needed, the first speed may be lowered in 3 km/h increments and then proceed upwards again in the same 3 km/h increments up to the maximum speed for the division and age category. The skier has to do one pass after another without falling until the maximum speed has been achieved. Then the skier will proceed as shown in the table.

The finals shall start with the rope length or slalom speed that was passed in the preliminary round by all skiers that take part in the finals in that division and age category unless changed by the Event Judges.

The skier or his representative shall announce the rope length or slalom speed at which he elects to start on a published time close before the estimated start of that series or event. A skier who fails to announce the rope length or slalom speed at which he wants to start, shall have to start at the published start rope and speed.

Further the skier has to inform the Technical Officer at which speed he desires to leave the starting jetty.

Acceleration from start speed to slalom speed shall be done directly after the skier has started.

Rule 12.2. Refusal of a skier

A skier may refuse to enter the slalom course by raising one arm in the air. He shall not be penalised for so doing providing this refusal was for a reason judged acceptable by the Event Judges. The skier must be ready to ski immediately after the decision of the Event Judges. Should the skier not be ready or should the reason be judged not acceptable by the Event Judges, he should be disqualified from the remainder of that round in the event.

Rule 12.3. Competition area

The competition area begins at the last deflection pulley before the 1st slalom buoy and finishes at the next deflection pulley (see Diagram 9).

Rule 12.4. Buoys

The colour of buoys shall be selected for maximum visibility. For the Slalom and exit gate buoys a fluorescent red or yellow colour is recommended.

Middle line buoys in the slalom course shall be a different colour from the slalom and exit gate buoys. White or yellow is recommended.

Slalom and exit gate buoys shall be 22 to 28 cm in diameter. 23 cm is recommended. Middle line buoys shall be 22 to 30 cm in diameter.

All buoys shall be of a lightweight, pliable material with smooth exposed surface.

Each buoy shall have a strong loop for attaching anchor lines. The buoys must be attached to the anchor line by the use of a system that will tighten the buoy in such a way as to ensure that it does not move around from its position.

Slalom buoys shall be fastened so that they have 11 to 17 cm of height out of the water. 11,5 cm is recommended. The exit gate and middle line buoys shall be fastened so that they have 16 to 22 cm of height out of the water. 17 cm is recommended.

Rule 12.5. A fall in Slalom

A fall before or in the course concludes the performance of the skier, but he shall receive credit for buoys scored before the fall.

Rule 12.6. Scoring buoys

A buoy not missed is scored as follows, up to the point of the first miss:

- a) $\frac{1}{4}$ buoy when the skier crosses the line C-D, in a skiing position (Rule 10.3), before the buoy to be rounded. The skier shall not receive the $\frac{1}{4}$ buoy if he passes inside the buoy.
- b) $\frac{1}{2}$ buoy when the skier has re-crossed line C-D in a skiing position (Rule 10.3), before the level of the next buoy or exit gate.
- c) 1 buoy when the skier has crossed the middle-line under the main-running cable, marked by middle line buoys, before passing the level of the next buoy or the gate without falling (Rule 10.2).

(see Diagram 10)

A deflection pulley or the end gate is not scored at all.

Rule 12.7. End of the slalom run

A skier in either a preliminary or final round may continue to run the course as provided in Rule 12.1 until he misses a buoy or the exit gate, at which point his scoring ends for that round.

Rule 12.8. A miss or „riding over“

It is a miss to ride inside the buoy or outside the end gate or to ride over, straddle or jump over a buoy or an exit gate buoy or to jump through the exit gate; but there is no penalty for grazing a buoy with a ski or part of the body.

„Riding over“ shall be defined as hitting a buoy with the ski so as to move it significantly from its position or temporarily sink it. Hitting a buoy less severely shall be considered as „grazing“.

Rule 12.9. Slalom towers

The slalom judging towers shall be braced structures having a platform with railing approximately 2 - 3 m above the water surface. They may either rest on the bottom or be securely anchored in position. The slalom judging towers should be positioned to provide the best possible view over the entire slalom course.

Rule 12.10. Officials

If five judges are being used, there shall be three judges on the first judging tower and two judges on the second judging tower placed in a suitable position to judge the exit gate. Skier buoys shall be judged by all five judges. The exit gate shall be judged only by the two judges on the exit gate tower unless they are not in agreement, in which case all five judges will vote on the exit gate.

If an exit gate video is being used, the three judges shall be located on one tower in the middle of the course. The end gate video must clearly display the end gate and the 6th buoy (see Diagram 9). All three judges must be able to see the picture from the exit gate video camera without turning away from the course.

Rule 12.11. Timing

The Timer shall inform the responsible official of wrong speeds to take the necessary action.

Where the applicable speed is slower than allowable on any pass, a rerun shall be mandatory. If the pass was not a perfect pass, the skier may not improve his score over that obtained in the slow pass, unless the speed is so slow that it is equal to or below the fast tolerance of the next slower pass. If the pass was a perfect pass (score is 6, skier to continue), the skier may choose to proceed to the next pass instead of repeating the pass. If the skier then makes a perfect pass, he receives credit for both passes. If the pass is missed, he will receive credit for the buoys made as if it were the lower, skipped pass.

Where the speed is faster than allowable and the skier has not made a perfect pass, he shall have an optional reride. If taken, it shall not be scored less than the score obtained on the pass leading to the reride.

Rule 12.12. Safety equipment

All skiers in Slalom events shall be required to wear an approved life jacket.

Rule 12.13. Scoring

The skier's result from the final round will determine his placement in the event. If a majority of the Appointed Judges decide that it is physically impossible to complete the final round of the event, placement will be from the results of the preliminary round.

The better result obtained by the skier, in either the preliminary or the final round, shall count towards the individual overall. He shall get credit for his score on the speed / rope length he was skiing at, under the provisions of Rule 12.1 provided his first pass is perfect. If his first pass was not perfect he shall get credit for his score as if he was skiing at the official start speed or rope length of his division and age category for that competition. The official results must show the official start speed and rope length of the round of the event and the number of buoys scored by each skier on his last pass showing the speed and rope length.

To be considered for placement ~~and receive overall points~~, the skier must have started in this event.

Rule 12.14. Ties

If a tie exists for first place, it shall be run off. If a tie exists for second or third place, placement shall be decided on the basis of the higher preliminary round score. If a tie still exists, it shall be run off. The run off shall have a new drawing of order. The tie breaking run shall begin with the scheduled speed and rope length of the last complete pass and conclude with the first miss. Repeated ties shall be run off in the same manner until broken.

Rule 13. Tricks

Rule 13.1. General

Each skier shall be allowed two passes through the trick course during which time he may perform as many tricks as he desires. The trick skier is not allowed to take the two passes consecutively.

Rule 13.2. Refusal of a skier

A skier may refuse to enter the trick course by raising one arm in the air. He shall not be penalized for so doing providing this refusal was for a reason judged acceptable by the Event Judges. The skier must be ready to ski immediately after the decision of the Event Judges. Should the skier not be ready or should the reason be judged not acceptable by the Event Judges, he loses the right for that pass and this pass will not be considered as a registered pass.

Rule 13.3. Competition area

The competition area begins at the last deflection pulley before the trick buoys and finishes at the next deflection pulley (see Diagram 11). A set of buoys after the deflection pulley shall establish the area of the beginning of the trick pass. The end of the pass shall be signified by the 20-second time interval only.

Rule 13.4. Speed

The skier shall receive his choice of a constant speed through the course for each pass. The speed in trick skiing, assuming it is held constant from the deflection pulley before entering the course, is the skier's responsibility.

The skier shall inform the Technical Officer what speed he desires on each pass.

Rule 13.5. Start of trick pass timing

~~Timing for the trick pass will start:~~

- ~~a) at the skier's first movement towards doing a trick after reaching the position of the first trick buoy.~~
- ~~b) if the skier fails to make any such movement, as the skier passes the second trick buoy.~~
- ~~c) A first movement shall be considered as any movement towards making a trick. Wrapping the line for a trick shall not be considered such a movement in itself.~~

After passing the approximate position of the first trick buoy the beginning of the trick pass shall begin:

- a) for a surface trick, at the first discernable rotation of the ski from the tracking direction (or position)
- b) for an air trick, at the earliest to occur:

1. [at the first discernable rotation of the ski from the tracking direction \(or position\)](#)
 2. [when the ski under the binding of the leading foot leaves the water surface no longer supporting the weight of the skier](#)
- c) [If the skier fails to make any such movement, as the skier passes the second trick buoy.](#)

Rule 13.6. End of the trick pass

The trick pass shall end:

- a) on the sound of a short, loud audible device 20 seconds after the start of the pass. The 20-second intervals shall be timed and indicated by an automatic device.
- b) when the skier falls in the course.

Rule 13.7. A fall before the pass

If a skier falls while practising before the pass, he loses the right to that pass.

Rule 13.8. Use of a release or braking the cable

If a skier wishes to use a release he must inform the Technical Officer beforehand. The skier uses the release entirely at his own risk.

The skier may provide an observer to instruct the Technical Officer to stop the cable. The skier is fully responsible for any braking of the cable and no request for a ride will be granted upon premature or accidental braking.

Rule 13.9. Officials

There shall be five judges scoring tricks. Each judge shall watch and record the tricks independently. He shall list each trick attempted by the skier and decide with respect to each trick:

- a) if it was performed according to the rules governing that trick.
- b) if it was started after the beginning or completed before the end of the pass.

Rule 13.10. Communication with the Judges

Skiers in the Trick event or other persons shall not communicate with the Event Judges between passes for the purpose of determining whether a trick or tricks attempted in the pass were scored.

Rule 13.11. Timing the trick pass

There shall be a timer and a backup timer located at a point that will allow them to best determine the start of the trick pass. The timer shall start the timing device at the beginning of the trick pass as defined in Rule 13.5. At the end of 20 seconds the audible device shall sound. Some form of backup device for the audible signal must be provided in the event that the official device fails to operate.

The audible device to signal the end of the pass shall be located in the center of the course, so that it is most audible for the judges.

An audible signal different from the end of pass signal indicating the start of each pass shall be given by the timer to the judges.

Where an automatic timing device is available which can select the median of five separate triggering signals, the Event Judges may collectively serve as the official timer.

Alternatively, a video trick timing system may be used. When it is used, the end of the 20 second pass shall be determined by the video measurement. A start/stop judge shall operate or supervise the operation of the video trick timer. This judge shall make a determination of the last trick in time. If the Chief Judge agrees with this determination, it shall be official. If the Chief Judge disagrees then it is the responsibility of the 5 event judges to determine the last trick in time.

Rule 13.12. Use of the video camera

The tricks shall be filmed by a video camera from a position as close as possible to the position of the Event Judges. If more than one video camera is used, the Chief Judges shall declare one as official prior to the event. The video film may only be shown as an aid to the Event Judges under the following circumstances:

- a) At the request of the Chief Judge or the Chief Calculator, if it is not possible for the Calculators to obtain a majority decision as to the trick or tricks performed.
- b) At the request of the Chief Judge or the Chief Calculator, if it is not possible for the Calculators to obtain a majority decision as to whether or not credit is to be given for a trick.
- c) In circumstances which the Chief Judge regards as exceptional. This request should not be

- granted if the intention is to change a Judge's decision under Rule 13.9.
- d) At the request of the Chief Judge, or a Judge or a Calculator (and approved by the Chief Judge) the video may be reviewed to establish credit or no credit of a trick or tricks provided it is stated which trick(s) they wish to review. It is not the intention to review the entire run.

The video will only be shown at normal speed.

The audio of the video camera recorder shall pick up the sound of the audible signal, which indicates the end of the 20 seconds.

Rule 13.13. Credit for tricks

To receive credit for any trick the skier must remain in or return to skiing position.

Only tricks listed in the rules will be scored in a competition.

A skier shall receive credit for a trick performance only if it is performed in the order as declared on his trick list (see Rule 13.15). Tricks performed not listed or performed in a different order than on the trick list score zero. The order shall not be regarded as broken for the failure to perform a listed trick, the failure of the judges to give credit for a trick performed, or the performance of one or more tricks not listed before resuming the listed sequence. The skier may choose which pass he wishes to perform first.

If a skier falls on his first pass, he may choose to repeat it as his second pass. He may also continue from where he fell and progress into the second pass. The two listed passes shall be considered as one continuous list for scoring purposes and must progress in that order for proper scoring.

Rule 13.14. Tricks at the end of the pass

A trick not completed before the end of a pass shall not be scored.

A trick completed before the end of a pass shall not be scored if the skier ultimately falls as a result of that trick, even if the fall is after the conclusion of the pass.

Rule 13.15. Trick lists

A list of declared tricks to be attempted by the skier shall be required from each competitor in the trick event before the event starts. The Chief Judge and the Chief Calculator shall determine the exact time when the list must be submitted for the preliminary and the final rounds. The trick list shall be prepared using the official codes shown in the table of trick values. Reverse turns must be indicated by an R preceding the official code. In each declared trick pass, the skier may list only one trick and its associated reverse, if any, on two skis and one trick and its associated reverse, if any, on one ski under each number in the table, except that any type of 180^o turn may be listed more than once. If a trick (non-180) is listed more than once in the same pass then it is treated like it is not there, neither it nor any reverse that follows it may score. Only the first instance of the trick will be considered by the Calculators.

A contestant who fails to submit a trick list shall be disqualified from that trick round. A skier may submit a different trick list for the event finals if he so desires. The declared list shall be made available to the officials at the discretion of the Chief Judge.

Rule 13.16. Calculation of the trick result

The Calculators shall receive the tabulations and, in the event of a discrepancy, shall decide the tricks to be scored on the basis of a simple majority from among the Judges' individual tabulations as to:

- a) what trick was performed;
- b) if it was performed according to the rules governing that trick; and
- c) if it was started after the beginning or completed before the end of a pass; and
- d) if it was declared by the skier in his submitted trick list according to Rule 13.15.

If there is more than one sequence that can be scored, the sequence that gives the maximum points shall be used.

Each trick shall be credited to the competitor with the points as given in Appendix 1a and Appendix 1b.

Rule 13.17. Trick descriptions

- a) Except in the case of attempted side slide turns, a trick is any activity that occurs between two hesitations. In the case of an attempted side slide, the hesitation in the 90^o position is to be ignored in applying this rule. Credit may be received for performance of only one trick and the associated reverse, if any, on one ski under each number in the table. If this rule is violated,

only the higher scoring of the repeated tricks shall be scored.

Tricks are only credited if at the end of the trick the weight of the skier is fully supported by his ski or skis.

- b) An air turn not completely done in the air scores zero. No part of the ski shall touch the water between the point of the initial lift out of the water and the landing. Equally a water turn not completely done on the water scores zero.
- c) A reverse trick must immediately follow the basic turn in the same pass; however, any type of 180° turn is allowed between two such turns. The reverse shall not be disallowed simply because it follows an attempted trick which has not been credited or because the basic trick is a repeated trick. Reverse turns under Trick 5 are limited to 360° but may follow a 360°, 540° or 720°. Reverse tricks under Trick 12 are limited to 540° but may follow a 540° or 720°. On one ski and two skis only one basic trick and one reverse are allowed under Trick 27 and under Trick 28, but may be any reverse trick listed, i.e. the original may be a WL5, WLL5 or a WL7, and the reverse may be any reverse of any of the above. On one ski and two skis only one basic trick but no reverse are allowed under Trick 13, 34, 36, 37, 38, 42, 43, 45, 46, 47 and 49. In order to score the basic and reverse of any trick they must both be performed in the same pass. In order to receive higher points for the reverse trick, the basic trick must be scored according to Rule 13.16. In case the basic trick is not scored, the reverse trick, if scored according to Rule 13.16, shall only receive points as if it would be the basic trick.
- d) Stepmover line tricks are complete only when the free foot touches ski or water or the lifted ski touches water after the turn before the next trick or the end of the pass. The skier may not lay his leg or lifted ski across or on top of the line, the handle, or either arm until he begins to execute the trick. The stepover and turn actions must be simultaneous. Immediately on completion of a FB stepover turn, the skier must have at least one arm between his legs holding the handle.

A jump stepover 360° consists of a 180° stepover and a 180° jump combined, in either order, all done in the air, in a continuous turn. A jump stepover 540° consists of a 180° jump stepover and a 360° jump combined, in either order, or a 180° jump stepover preceding and followed by a 180° jump combined, all done in the air in a continuous turn. A jump double stepover 540° consists of a 180° jump stepover and a jump stepover 360° combined in either order, all done in the air in a continuous turn.

A stepover turn not performed according to the rules for a stepover but according to the rules for a 180° or 360° surface or jump turn shall be scored zero.

Toehold stepover tricks must be a simultaneous action. The towing foot may not touch the water during execution of the toehold stepover. except that at the end of the trick after the stepover and turn are complete either the towing foot or the ski may touch down first.
- e) All side slides include a 90° turn from skiing position, a hesitation in the 90° position and a return to the skiing position in the original direction.
- f) In ski line tricks, both feet must be on the ski and pass over the line while in mid-air. The feet may pass over the line at any point during the execution of the trick. The line must be out of the water during the execution of the trick.
- g) To receive credit for a flip, it is required that both feet must be higher than the head and in approximately the same vertical plane at some point during the execution of the trick. A Front Flip shall be defined as a forward somersault done in the air in which the tail of the ski passes up and over the head as the head goes down and forward and the rotation must be in the direction of travel. Both feet must be above the head and in approximately the same vertical plane at some point during the execution of the trick. For flips with body rotation the body rotation must be done simultaneously with the flip, not before or after. A Flip Front-Back is not considered a 180° turn either for purposes of declared tricks as referenced in Rule 13.15 or for reverse turns as described in Rule 13.17. The reverse Back Flip is defined as a Back Flip leading with the opposite shoulder and travelling in the opposite direction (right to left vs. left to right) from the original Back Flip. Additionally, for the WFLIPBFB, the reverse must land in the opposite wrap or turn in the opposite direction.

WFLIPB5F and WFLIPB5B must be done hand-to-hand. The rope may not be wrapped around the body to assist the turn. This does not prohibit the simple back position wrap where the rope does not go around the body.

Rule 13.18. Scoring

The skier's result from the final round will determine his placement in the event. If a majority of the Appointed Judges decide that it is physically impossible to complete the final round of the event, placement will be from the results of the preliminary round.

The better result obtained by the skier, in either the preliminary or the final round, shall count

towards the individual overall.

To be considered for placement ~~and receive overall points~~, the skier must have started in this event.

Rule 13.19. Ties

If a tie exists for first place, it shall be run off. If a tie exists for second or third place, placement shall be decided on the basis of the higher preliminary round score. If a tie still exists, it shall be run off. The run off shall have a new drawing of order. Each tying competitor shall be allowed one pass until the tie is broken. Repeated ties shall be run off in the same manner until broken.

Rule 13.20. Recommended Trick event modes

Depending on which side of the course the trick event is held, two different ways are recommended.

Case 1: The trick course is on the opposite side of the start. One skier shall always be on the water. All skiers use the same carrier, eventually it is even possible that the next skier starts with the carrier previous to the one the skier actually on the water is using.

Case 2: The trick course is on the starting side. For low level competitions it might be possible that the skier starts immediately his trick run after leaving the dock and passing the 40 m buoy. For any other competitions a „diagonal“ mode should be used: The first skier leaves the dock. When he passes the pylon opposite to the start (which is then the second (in case of a 4 corner cable) or third (in case of a 5 corner cable) pylon the next skier starts. When the first skier passes the start again he will come to the trick buoys and start his trick run (see Rule 13.5). After completing his trick run without fall the skier has to let go his rope before reaching the next wheel. Then the next skier can start his trick run (as per Rule 13.5). Also this skier has to let go his rope before reaching the next wheel in case of a successful trick run without fall. A skier not letting off the rope after his run shall be disqualified.

Rule 14. Records

Rule 14.1. What records are recognized

The IWSF shall recognize World Records for jump distances, slalom performances and trick points for the Men's and Women's divisions. The Regions may, in addition, recognize Region Records under the same standards provided for World Records. The Regions may, however, recognize Records for divisions other than those recognized by the IWSF. The Region in which a record may be recognized shall be determined by the nationality of the skier rather than the location of the competition.

Rule 14.2. Competitions where records may be set

Records may be set only at competitions homologated by the IWSF, a Region, a Federation, or the Cableski Council of the IWSF.

In any one competition, no more than four rounds are eligible for setting records. The eligible rounds must be declared before the start of the competition.

Rule 14.3. Jump records

A jump shall be a new record if it exceeds the current official record. If the distance equals the established record, the skier will become co-holder of the established record.

For jump records only the distance will be considered regardless of the ramp height.

Rule 14.4. Slalom records

A slalom performance shall be a new record if it exceeds the current official record. If the score equals the established record, the skier will become co-holder of the established record.

Rule 14.5. Trick records

A trick performance shall be a new record if it exceeds the current official record. If the result equals the established record, the skier will become co-holder of the established record.

Rule 14.6. Ties in an event

In the event of equal performances in a round of a competition, which equals or exceeds the current official record, the record shall be co-held no matter which skier may be the ultimate winner of the event.

Rule 14.7. Record forms and criteria

Specifications of equipment, courses and measuring devices shall be set by the IWSF Record Application Forms, which must be completed and certified by the Region Cableski Council Chairman, by the Chief Judge, by the Homologator and other required officials.

These record forms shall require that for a jump or trick record, the performance must be video taped.

- a) Tricks. Video will be taken as per Rule 13.12. This video will be viewed in regular speed by the Event Judges for record verification. Although the record verification cannot change the score recorded in the competition, the score may be changed for the record submission.
- b) Jump: The Homologator shall send the video tape and the gif files for control by the IWSF Cableski Council.

All videos will be sent with the record forms to the Chairman of the IWSF Cableski Council. All submitted videos will be VHS. The format that the tape was recorded in will be clearly marked on the tape.

Rule 14.8. Record administration

- a) World Records may only be set at competitions sanctioned by the IWSF, a Region, or an affiliated National Federation. In some instances, a Region or Federation may specify specific events as record capability. In this instance, only performances from such specified events shall be considered for World Records.
- b) At competitions where World Records may be set, the Homologator shall be responsible for supplying the Chief Judge with the technical information required by the IWSF Record Application Form.
- c) The Chief Judge shall be responsible for the completion of the required application. The completed form shall be sent by the Homologator within one week of the completion of the competition to:
 - The skier's National Federation.
 - The Chairman of the Region Cableski Council where the record was performed.
 - The Chairman of the IWSF Cableski Council.

Under no circumstances will a record application be considered unless the appropriate record application forms are completed and all rules conformed to within the stated time limits of one week (7 days).

- d) Upon receipt of the form and the necessary support documentation, the Chairman of the IWSF Cableski Council will either approve or disapprove the application and will advise the members of the IWSF Cableski Council and the IWSF President of his decision.
- e) The record will then be official, pending final ratification by the IWSF Cableski Council and the President of the IWSF.
- f) The IWSF Cableski Council and the President of the IWSF must advise the Chairman of the IWSF Cableski Council of their ratification or disapproval within 30 days of their receipt of the information.
- g) Records shall be ratified if approved by a two-thirds majority of the IWSF Cableski Council. There shall be no proxy voting.
- h) Should the Homologator and/or Chief Judge fail in the responsibilities of these duties, sanction shall be determined and levied by the IWSF Executive Board following receipt of a report by the Region Cableski Council Chairman.
- i) In the unusual instance where a potential World Record performance occurred and it was intentionally not applied for as a World Record, the Homologator, Chief Judge, skier, and Federation may be subject to the IWSF Constitution.
- j) Regional records can never be higher than World Records.

Rule 15. Homologation Guidelines

Rule 15.1. General

It is a requirement for any type of homologation that a competition has a minimum of 8 competitors in each event and the regional Cableski Council is satisfied it is a genuine competition.

At all types of Homologated Competitions, the Homologator shall post a notice before the start, showing which disciplines and which class of Homologation in each case he is recommending to the regional Cableski Council. The Homologator has no discretion to recommend a class of Homologation if all the requirements are not completely fulfilled. The regional Cableski Council, at their discretion, may subsequently award a higher class of Homologation.

Rule 15.2. Surveying Equipment

The surveying instrument must have an accuracy of 20 seconds or better. All slalom and jump courses shall be checked with that instrument.

Rule 15.3. Jump

In case of the use of the Johnson system:

- a) Protractors should be in degrees with a gradation of 0,2 degrees. Minimum radius of the protractor shall be 25 cm.
- b) The maximum difference of readings between top and bottom stations on a fixed sighting point (on land) shall not exceed 0,1 degree. This is to be checked at several points through the range and include the other stations.
- c) Angles may be called in to 0,1 degree of accuracy.
- d) A recommended check is to sight the 6th slalom buoy for a small triangle and check against actual distance.

Rule 15.4. Slalom

All skier buoys and end gates must be measured (diameter and height) for record submission.

Rule 16. Additional Rules

Rule 16.1. Homologation Levels

	World Record (RC)	Ranking List (RkL)	Normal (NOR)
Prior Announcement of Homologation Level to Skiers	Yes	Yes	Yes
Prior Notification of Homologation Level to Regional Cableski Council	Yes	No	No
Region Approved Panel	Yes	No	No
Max. Number of Rounds	4	4	4
Chief Judge	1 st Class	1 st Class	2 nd Class
Homologator	International	International	National
Technical Officer	International	National	National
Duplication	None	Max. 2 functions, except Trick Event Judge may not be Calculator in Trick events	Max. 2 functions
Direct drive	Mandatory	Mandatory	-
Jump			
Course Check	Survey	Survey	Survey
Tolerances	Per Rule Book	Per Rule Book	Per Rule Book
Video Measurement	Mandatory	Mandatory	Optional

	World Record (RC)	Ranking List (RkL)	Normal (NOR)
Timing	Automatic	Automatic	Manual
Calculator	International	National	National
Judges	3 x 1 st Class	1 x 1 st Class / 2 x 2 nd Class minimum ⁽⁴⁾	3 rd Class minimum
Slalom			
Course Check	Survey	Survey	Survey
Tolerances	Per Rule Book	Per Rule Book	Per Rule Book
Middlebuoys	Required	-	-
Buoys	Measured	Visual check	Visual check
Timing	Automatic	Automatic	Manual
Judging towers	Both sides	Both sides or one side ⁽⁵⁾ or one side + video ⁽⁶⁾	One side
Calculator	International	National	National
Judges	5 x 1 st Class or 3 x 1 st Class / 2 x 2 nd Class minimum	1 x 1 st Class / 3 x 2 nd Class / 1 x 3 rd Class or 3 x 1 st Class / 2 x 3 rd Class minimum ⁽⁷⁾ or 1 x 1 st Class / 2 x 2 nd Class minimum + video ⁽⁸⁾ ⁽⁶⁾	5 x 3 rd Class minimum or 3 x 3 rd Class minimum + video ⁽⁶⁾
Tricks			
Course Check	Visual	Visual	Visual
Tolerances	Per Rule Book	Per Rule Book	Per Rule Book
Timing	Automatic	Automatic	Manual
Video	Yes	Yes	No
Calculator	International	International	National
Judges	5 x 1 st Class	1 x 1 st Class / 3 x 2 nd Class / 1 x 3 rd Class minimum	5 x 3 rd Class minimum

Rule 16.2. World Cableski Ranking List description and schedule

The World Cableski Ranking List is a list of the best men and women skiers in each event (Trick, Slalom and Jump) ranked by performance. Only one score per competitor in each event is considered from each tournament. Each IWSF Federation sanctions Record Capability or Ranking List tournaments from which the performances are taken. Performances are taken from score books and submitted by the sanctioning Federation or Region.

If a performance in a Ranking List tournament exceeds the current World Record, it will be placed on the ranking list as one increment below the current record. If a record score is made in a Record Capability tournament, but is subsequently rejected then the corrected score shall be used.

⁴2 Judges must be Cableski Judges, the other may be an International Tournament Judge.

⁵Both sides are preferable, however if technically not feasible two towers on one side can be accepted.

⁶Video means an end course / gate video from which the 6th buoy and the end gate can be seen. The judges must be able to see the video stream live on the judges tower. In this case one tower is acceptable in the region of buoy nbr. 3.

⁷If 5 Judges are used, 2 Judges must be Cableski Judges with 1 1st class and 1 2nd class minimum, the other 3 may be International Tournament Judges.

⁸2 Judges must be Cableski Judges, the other may be an International Tournament Judge.

The maximum number of rounds which can count for the rankings list or records is limited to 4 (except head to head) at any one competition – meaning consecutive days at the same site.

Schedule and submission process.

October 31: This is the closing date of the list. Only performances on or before this date are accepted in the current year's listing.

December 31: The preliminary list is published and distributed. Each Federation must verify the performances and submit any corrections with appropriate documentation.

February 28: This is the closing date for any final corrections.

March 15: The finalized list is published and distributed.

April 30: In Cableski World Championship's years, a second list will be published using this as a last performance date.

May 30: Final publication of the list in a World Championship's year.

Rule 17. Cableski Officials

Rule 17.1. General rules for International Cableski Officials

The following different types of International Cableski Officials exist:

- 1st Class Cableski Judges
- 2nd Class Cableski Judges
- International Cableski Homologators
- International Cableski Calculators
- International Technical Officers

An International Cableski Official must be quite impartial in the execution of his function and always conscious of the fact that he is responsible to the Cableski Council and not the the Federation concerned.

An International Cableski Official will be expected to perform such functions and tasks allocated to him by the Chief Judge, unless there be valid reason to the contrary, even at a competition he is attending without an assigned function, should the board of Officials so require.

Rule 17.2. Examinations of International Cableski Officials

The nomination of International Cableski Officials and the organisation of examinations are under the sole responsibility of the regional Cableski Council and its Chairman, who will also appoint the examiners.

Applications for examination for international Cableski officials will be submitted by the Federation concerned, which will send the applications of their candidates to the Chairman of the regional Cableski Council one month before the proposed examination. Each such application must be submitted on the special application form placed at the disposal of the Federations by the regional Cableski Council.

Unless the regional Cableski Council rules otherwise the minimum age for a 1st Class Cableski Judge or an International Cableski Homologator is 21 years and for a International Cableski Calculators is 18 years (during the year of the exam).

A candidate for a 1st Class Cableski Judge's exam must already be a 2nd Class Cableski Judge or a 2nd Class Tournament Judge. He shall also have judged under the control of members of the regional Cableski Council or its appointed representative, at least 4 times at Ranking List or Normal Homologated competitions, the Dossiers of which have been submitted to the Chairman of the regional Cableski Council.

Examinations are in two parts, Theoretical and Practical. In order to qualify as an international Cableski official it is necessary to pass both parts and they must be taken during the same season.

Function	Theoretical part	Practical part
1 st Class Cableski Judge	Written questions on how to organise and lead a competition and concerning the Cableski	Writing trick runs. 10 passes of 20 seconds of at least 43000 points in each pass without

Function	Theoretical part	Practical part
	Technical Rules. To succeed the candidate is required to obtain 80% of the total number of points available. The use of the rulebook (neutral without any notes in it) is allowed.	falls. Each such pass with two or more errors will be counted as a failure. Judgements of whether or not a trick is valid or is not valid, even if the Jury disagrees, are not considered errors.
2 nd Class Cableski Judge	Written questions concerning the Cableski Technical Rules. To succeed the candidate is required to obtain 80% of the total number of points available. The use of the rulebook is not allowed.	Writing trick runs. 10 passes of 20 seconds of at least 25000 points in each pass without falls. Each such pass with two or more errors will be counted as a failure. Judgements of whether or not a trick is valid or is not valid, even if the Jury disagrees, are not considered errors.
International Cableski Homologators	Written questions concerning the homologation parts in the Cableski Technical Rules. A Homologation Dossier, including record applications will be completed. To succeed the candidate is required to obtain 80% of the total number of points available. The use of the rulebook is not allowed.	Measurement of a slalom course. Set up and check of a officially recognized jump measurement system.
International Cableski Calculators	Written questions concerning the calculation parts in the Cableski Technical Rules, including memorising the commonly used trick values. To succeed the candidate is required to obtain 80% of the total number of points available. The use of the rulebook is not allowed.	Working as an assistant Cableski International Scorer at a homologated Cableski Competition and demonstrating his ability to carry out all Cableski International Scorer functions alone.
International Cableski Technical Officer	Written questions concerning the cable operation in the Cableski Technical Rules. To succeed the candidate is required to obtain 80% of the total number of points available. The use of the rulebook is not allowed.	Work as Assistant Cableski Technical Officer at three Cableski Competitions, one of these outside his country.

Rule 17.3. Rules for 1st Class Cableski Judges

First Class Cableski Judges are authorised to judge all Cableski Competitions, including Regional and World Cableski Championships.

Rule 17.4. Rules for 2nd Class Cableski Judges

Second Class Cableski Judges are authorised to judge all Cableski Competitions, with the exception of World Cableski Championships.

Rule 17.5. Rules for International Cableski Homologators

International Cableski Homologators are authorised to work at all Cableski Competitions. The Homologator is in charge of all technical matters concerning the Homologation of a Cableski Competition and shall remain in continuous contact with the Chief Judge who will, however always

be the only arbiter of whatever decisions need to be taken.

A Homologator may propose to a Chief Judge that a competition be stopped, but may not take this decision without the agreement of the Chief Judge.

The Homologator has to assure himself of the technical comparability of the competition with other competitions. For that he has to check all the installations ashore and on the water and ensure that all those installations are in due conformity with the Cableski Technical Rules. He shall also ensure that during the competition any changes of the Cableski installation do not cause advantage or disadvantage to any competitor.

When it is necessary the Homologator, having decided that it is unavoidable, shall state that an event in a competition can not be duly homologated, this must be posted on the notice board, duly signed prior to the competition and the facts sent to the Regional Cableski Council with the Dossier.

Rule 17.6. Rules for International Cableski Calculators

International Cableski Calculators are authorised to work at all Cableski Competitions.

Rule 17.7. Rules for International Technical Officers

International Technical Officers are authorised to work at all Cableski Competitions.

The Technical Officer shall ensure the utmost fairness, close adherence to the rules and impartiality of the competition as far as the cable operation (speeds, accelerations) is concerned. The Technical Officer is under the authority of and responsible to the Chief Judge. Incorrect speeds or failure to accelerate or decelerate in a proper manner, shall be immediately communicated to the Chief Judge.

International Technical Officers shall not be required while on duty to carry out additional functions as Starter, Timer, etc.

Rule 17.8. Voting of the judges

Every vote of the Appointed Judges or the Event Judges shall be decided by a simple majority of the judges voting. In the event of a tie, the Chief Judge shall cast the tie-breaking vote. If a person has more than one function, he will not have more than one vote.

All issues for the actual event should be settled before the next skier starts.

Rule 17.9. Placement of judges

Where practical, judges shall be separated to ensure completely independent opinions.

Rule 17.10. Secondary positions

Personnel to fill secondary positions shall be selected by the Chief Judge from among other experienced Judges and Officials in attendance. Wherever possible, Officials filling complementary positions (e.g. timer) should be of different nationalities.

Rule 17.11. Scoring sheet availability

The scoring sheets of each Judge shall be made available *for a period of 30 minutes* for inspection by the Team Captains as soon as the results are posted. Under the Team Captain's responsibility, a skier and his coach may view the skiers scoring sheets.

If the results are not available 30 minutes after the last skier of the day, the official posting will be delayed to one hour prior to the first skier of the next day. The unofficial results should be posted as soon as they are available.

Rule 17.12. Tolerances

All tolerances are to allow for human error and the intentional use of tolerances by Cableski Officials to improve skier performance will not be tolerated. In any activity involving the performance of an official where a tolerance is involved, it is the official's responsibility to attempt to be as close as possible to the actual specification.

Rule 17.13. Assignment to Cableski World Championships

At least 6 months prior to the start of the Cableski World Championships, the President of the IWSF shall appoint the Chief Judge for the Cableski World Championships from among the Chief Judges proposed by each Region Cableski Council.

The President of the IWSF Cableski Council shall appoint for the Cableski World Championships

the Homologator, the Chief Calculator and the Assistant, the Chief Technical Officer and the additional Technical Officer, the Appointed Judges and the Assistant of the Chief Judge from among the officials proposed by each Region Cableski Council.

The appointment of the Assistant to the Chief Judge must be made with the Chief Judge's approval. The judges chosen for the Cableski World Championships must represent the Regions as follows: A minimum of 2 judges from each region.

A total of 8 judges shall be selected.

The Chief Judge and his Assistant are not included in the above number.

If a region is unable to propose the specified number of qualified judges, the IWSF Cableski Council can appoint additional judges from other regions.

Rule 17.14. Event Judges at the Cableski World Championships

The Event Judges for the Cableski World Championships must be chosen by the Chief Judge from the Appointed Judges, preferably as follows:

For Slalom: at least one judge from any one Region.

For Tricks: the best panel appropriate for the level of trick performances.

For Jumping: one judge per Region

Rule 17.15. Rules for National Officials

National Officials such as 3rd Class Cableski Judges, National Cableski Scorers, National Cableski Homologators and National Technical Officers are responsible to and under the responsibility of their National Federations.

All National Officials are qualified to work at Normal Homologated competitions.

A National Official may be appointed to the panel of a National or International Non-Calendar Competition by his Federation. In the case where the Regional Cableski Council is unable to appoint a full panel to an International Cableski Competition, it may appoint a National Official.

Federations are solely responsible for the examination of National Officials. As a recommendation a 3rd Class Cableski Judge should be required in his practical exam to achieve at least:

- 10 passes of 20 seconds of 1000 points in Tricks even with falls. Each pass with two or more errors should be counted as a failure. Judgements of whether or not a trick is valid or is not valid, even if the Jury disagrees, are not considered errors.

Appendix 1. Trick values

Note: for better readability the table is split in 2 parts: Water Turns and Air Turns.

Description	Water Turns					
	No.	Bas.Code	2 Skis		1 Ski	
			Bas	Rev	Bas	Rev
Side Slide	1	S	20	20	40	40
180° FB	3	B	30	30	60	60
180° BF	4	F	30	30	60	60
360° FF	5	O	40	40	90	90
360° BB		BB	40	40	90	90
540° FB		5B	50		110	
540° BF		5F	50		110	
720° FF		7F	60		130	
720° BB		7B	60		130	
900° FB						
900° BF						
Stepover 180° FB	6	LB	70	70	110	
Stepover 180° BF	7	LF	70	70	110	
Stepover 360° FF						
Stepover 360° BB						
Stepover 540° FB						
Double Stepover 540° FB						
Stepover 720° FF						
Stepover 900° FB						
Stepover 540° BF						
Double Stepover 540° BF						
Stepover 720° BB						
Stepover 900° BF						
Toehold Side Slide	2	TS			100	180
Toehold 180° FB	8	TB			150	200
Toehold 180° BF	9	TF			150	200
Toehold 360° FF	10	TO			250	350
Toehold 360° BB	11	TBB			250	300
Toehold 540° FB	12	T5B			400	430
Toehold 720° FF		T7F			550	
Toehold 540° BF	13	T5F			500	
Toehold 720° BB						
Toehold Stepover 180° FB						
Toehold Stepover 180° BF						
Toehold Stepover 360° FF						
Toehold Stepover 360° BB						
Toehold Stepover 540° FB						
Toehold Stepover 540° BF						

Description	Air Turns					
	Trick		2 Skis		1 Ski	
	No.	Bas.Code	Bas	Rev	Bas	Rev
Side Slide						
180° FB	Group F (Basic Air)	14 WB	60	60	80	80
180° BF		15 WF	60	60	80	80
360° FF		16 WO	150	150	200	250
360° BB		17 WBB	150	150	200	250
540° FB		18 W5B	310	310	400	470
540° BF		19 W5F	310	310	400	470
720° FF		20 W7F	800	800	950	950
720° BB		21 W7B	480	480	700	770
900° FB		22 W9B	850	850	1100	1100
900° BF		W9F	850	850	1200	1200
Stepover 180° FB	Group B (Stepover Tricks) Part 2	23 WLB	130	130	180	
Stepover 180° BF		24 WLF	130	130	180	
Stepover 360° FF		25 WLO	220	220	280	280
Stepover 360° BB		26 WLBB	220	220	300	300
Stepover 540° FB		27 WL5B	330	330	480	500
Double Stepover 540° FB		WL5LB			600	650
Stepover 720° FF		WL7F	700	700	900	950
Stepover 900° FB		WL9B	800	800	1000	1100
Stepover 540° BF		28 WL5F	300	300	500	530
Double Stepover 540° BF		WL5LF			700	750
Stepover 720° BB	WL7B	550	550	800	850	
Stepover 900° BF	WL9F	800	800	1000	1100	
Toehold Side Slide						
Toehold 180° FB	Group G (Toehold Air)	29 TWB			200	250
Toehold 180° BF		30 TWF			200	250
Toehold 360° FF		31 TWO			300	380
Toehold 360° BB		32 TWBB			330	400
Toehold 540° FB		33 TW5B			600	660
Toehold 720° FF		34 TW5F			700	
Toehold 540° BF		35 TW7F			750	750
Toehold 720° BB		36 TW7B			780	
Toehold Stepover 180° FB		37 TWLB			400	
Toehold Stepover 180° BF		38 TWLF			500	
Toehold Stepover 360° FF		39 TWLO			580	580
Toehold Stepover 360° BB		40 TWLBB			560	600
Toehold Stepover 540° FB		41 TWL5B			800	850
Toehold Stepover 540° BF		42 TWL5F			900	
Front Flip	Group D (Flips)	43 WFLIPF	800		800	
Back Flip		44 WFLIPB	500	500	500	500
Double Back Flip		45 WDFLIPB	1000		1000	
Back Flip Full Twist FF		46 WFLIPBFF	800		800	
Back Flip Full Twist BB		47 WFLIPBBB	800		800	
Back Flip Half Twist FB		48 WFLIPBFB	750	750	750	750
Back Flip Half Twist BF		58 WFLIPBBF			550	550
Back Flip Line Back		49 WFLIPBLB	900		950	
Flip 5F		59 WFLIPB5F			1100	1200
Flip 5B		60 WFLIPB5B			1000	1050
Ski Line 180° FB	Group E (Ski Lines)	50 SLB			450	480
Ski Line 180° BF		51 SLF			500	550
Ski Line 360° FF		52 SLO			550	550
Ski Line 360° BB		53 SLBB			550	600
Ski Line 540° FB		54 SL5B			700	730
Ski Line 540° BF		55 SL5F			730	780
Ski Line 720° BB		56 SL7B			950	1050
Ski Line 720° FF		57 SL7F			1000	1100

Appendix 2. General Diagrams

Diagram 1 / Measuring the height

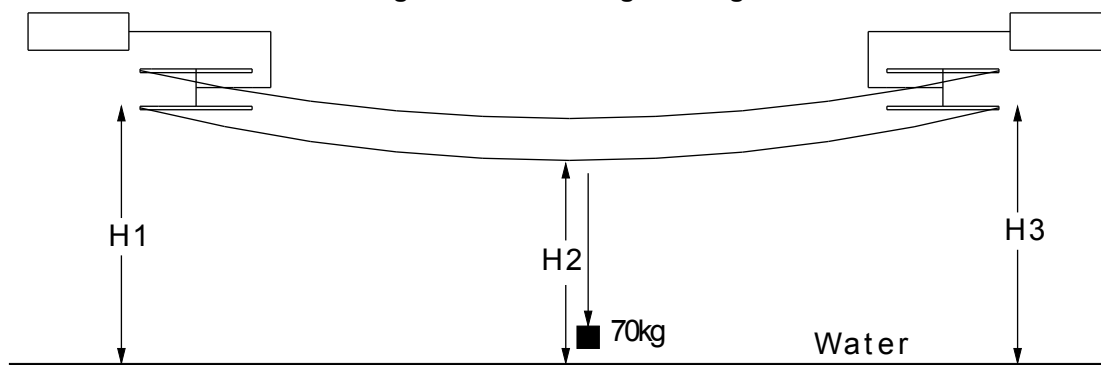


Diagram 2 / Calculation of AB

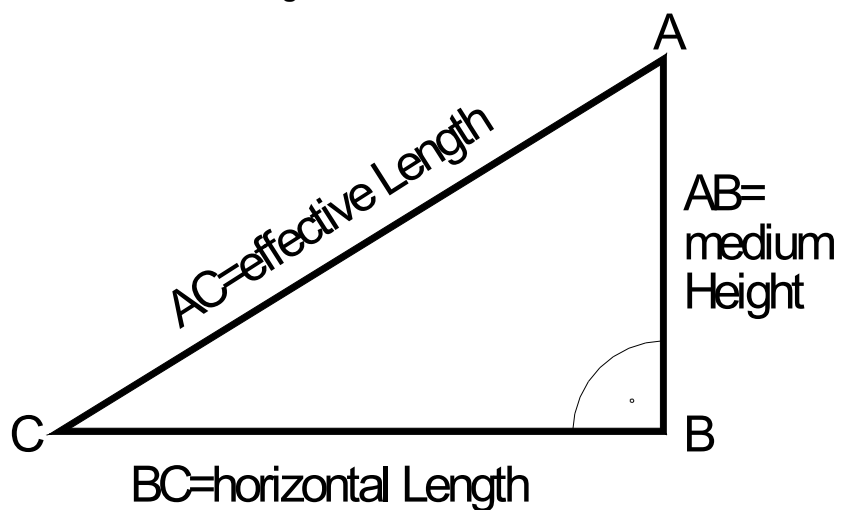
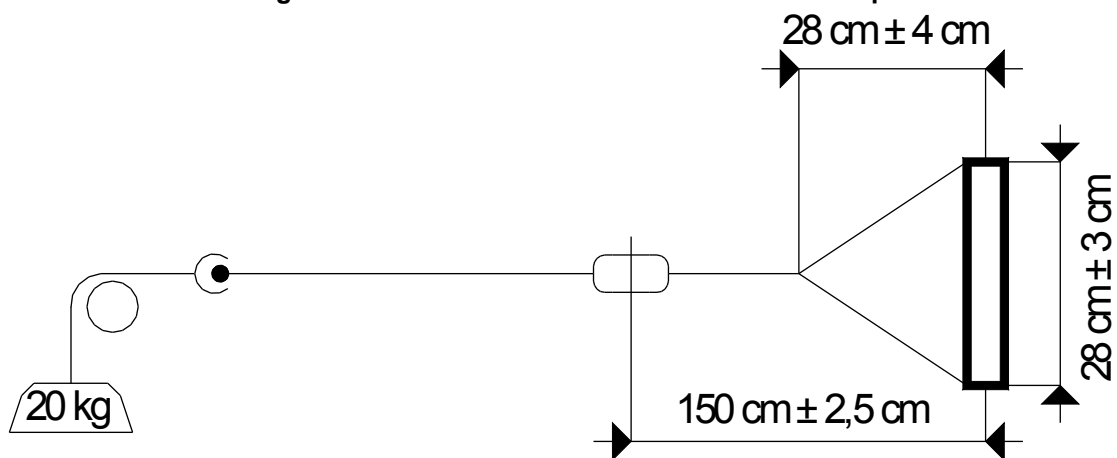
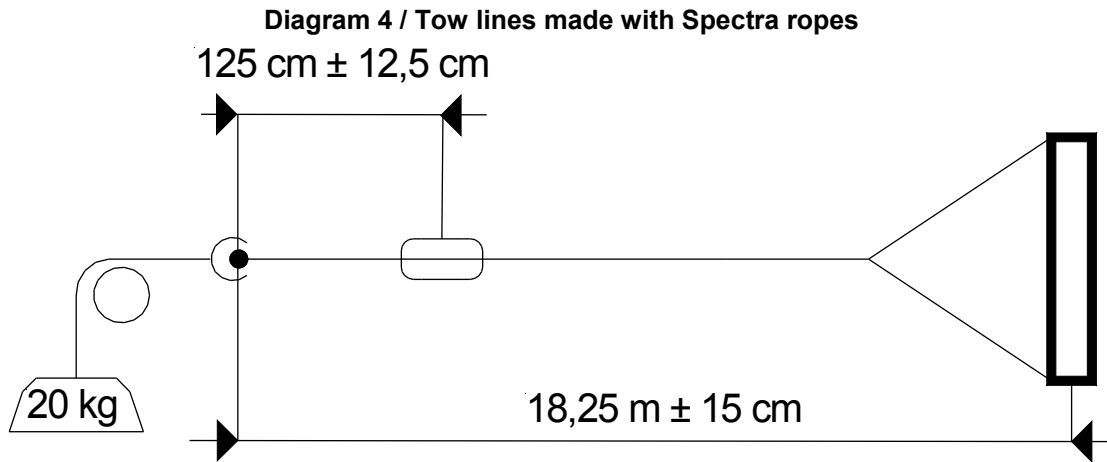


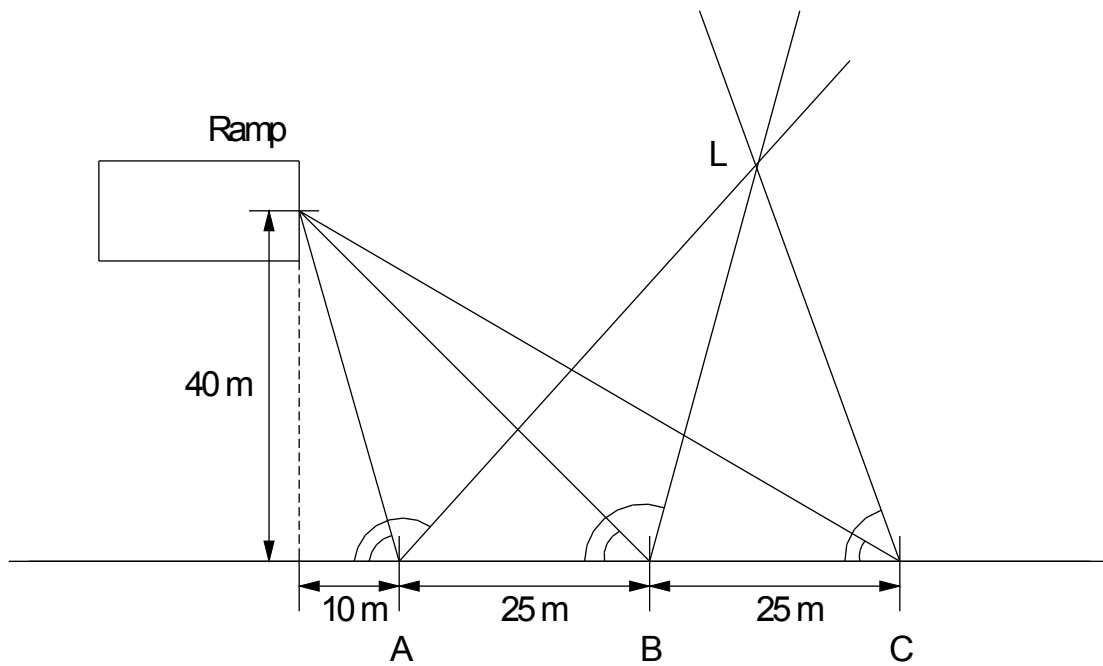
Diagram 3 / Handle dimensions in Slalom and Jump





Appendix 3. Computer Benchmark for computed distances

Diagram 5 / Johnson System Setup



Distance AB = BC = 25 m.
ABC is a straight line.
Jump position relative to A: 10 m back, 40 m out.
Jump is exactly parallel to ABC.

Note: The example shown is theoretical and does not imply that jump setups must conform to this diagram.

For jump distances and record to be certified, the jump meters must be set up so that the angles read from each station, using the official protractors, to the sighting mark produce an error triangle with an inscribed circle diameter of less than or equal to 15 cm.

Note: This does not apply if an alternative measurement system has been approved for use.

For the setup shown, some examples might be as follows:

Angle A	Angle B	Angle C	X	Y	Triangle	Result
75,9638	48,8141	33,6901	10,0	40,0	0,00	OK
76,0	48,8	33,7	9,99	39,99	0,031	OK
75,9	48,9	33,6	9,94	39,93	0,169	BAD

Note: X and Y positions are rounded to 0,01 m.

To verify that a computer program, using the Johnson system, is computing distances according to the IWSF rules, the operator must show that it produces identical results with the test cases that follows based on the setup given in the diagram. Note that triangle size is rounded to 0,001 m.

	A		B		C		Distance	Triangle
	Upper	Lower	Upper	Lower	Upper	Lower		
1.	136,6	136,6	106,8	106,8	65,6	65,6	45,5	0,0
2.	136,0	136,0	106,0	106,0	67,0	67,0	45,5	0,56
3.	136,9569	136,2431	107,2972	106,3028	66,073	65,127	45,5	0,0
4.	136,96	136,24	107,3	106,3	66,1	65,1	45,5	0,0
5.	136,6	137,32	106,8	107,8	66,6	65,6	45,5	0,0
6.	137,751	137,751	106,8	106,8	65,6	65,6	45,7	0,6
7.	137,753	137,753	106,8	106,8	65,6	65,6	45,3	0,601
8.	136,6	135,8	106,8	106,8	65,6	65,6	45,5	0,211
9.	136,7963	136,7963	106,8	106,8	65,6	65,6	45,5	0,103
10.	136,7964	136,7964	106,8	106,8	65,6	65,6	45,6	0,104

Case 7. Possible reride!

Longest Vertex 46,1

Shortest Vertex 45,3

Appendix 4. Jump diagrams

Diagram 6 / Jump Course

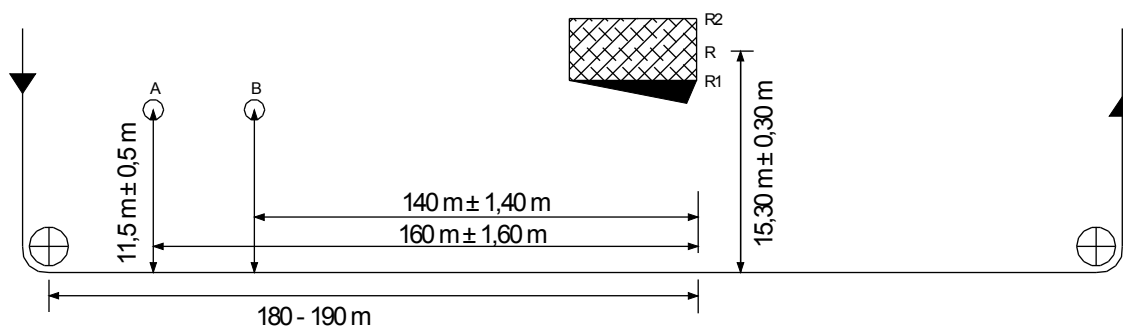
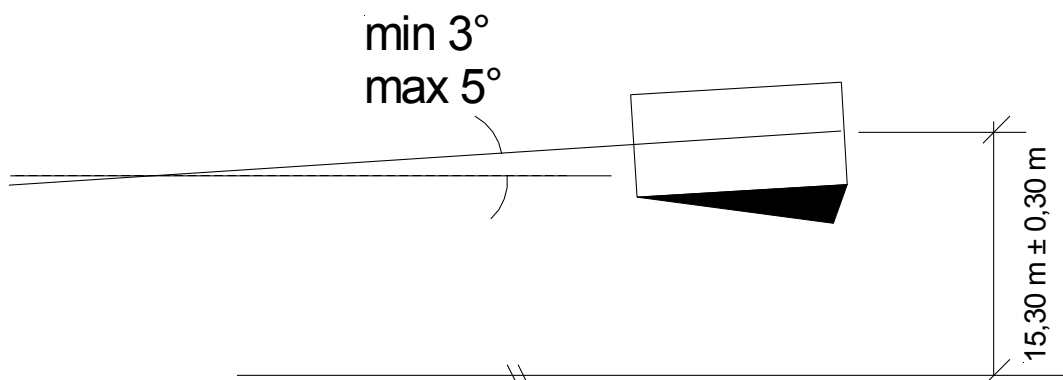
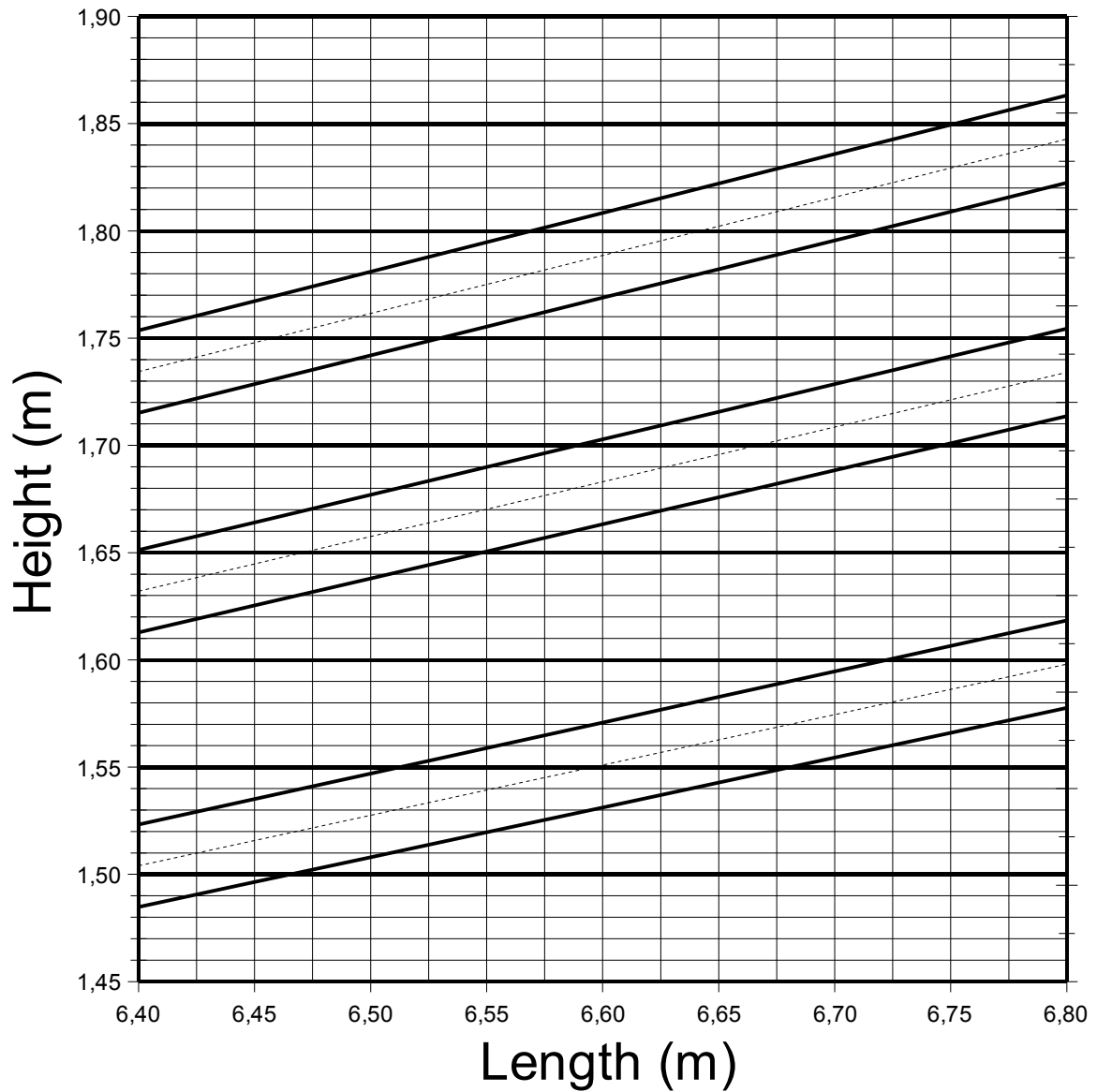


Diagram 7 / Ramp Angle



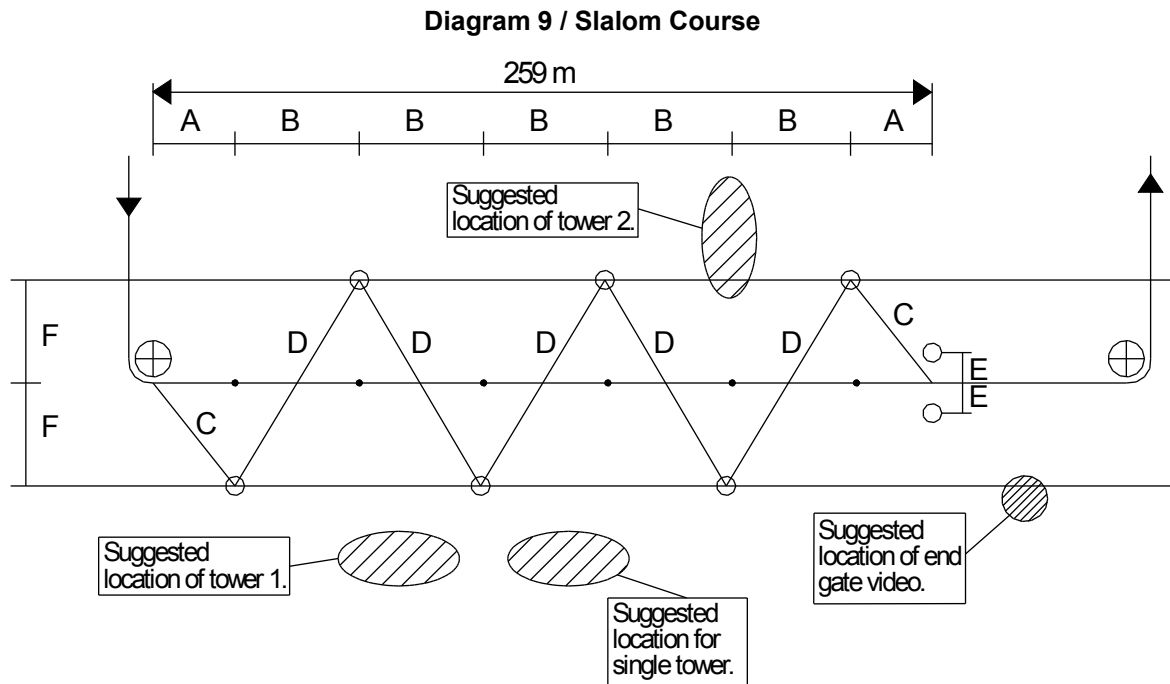
The ramp must be parallel to the main running cable with a tolerance of 3° to 5° open. Open means that the high end of the ramp is turned away from the main running cable.
The recommended angle for RC homologated competitions is 4° to 5° .

Diagram 8 / Ramp setting chart



Instructions: For any particular ramp setting, a combination of HEIGHT at the top edge and LENGTH out of the water enclosed within the solid line is allowable. A combination that lies on the dotted line is the most desirable.

Appendix 5. Slalom diagrams



Overall	=	259 m	± 1/4 %	258,353 m -	259,648 m
A	=	27 m	± 1/2 %	26,865 m -	27,135 m
B	=	41 m	± 1/2 %	40,795 m -	41,205 m
C	=	29,347 m	± 1/2 %	29,200 m -	29,494 m
D	=	47,011 m	± 1/2 %	46,776 m -	47,246 m
E	=	1,25 m	± 5 %	1,188 m -	1,313 m
F	=	11,5 m	± 1 %	11,385 m -	11,615 m

axis = main running cable

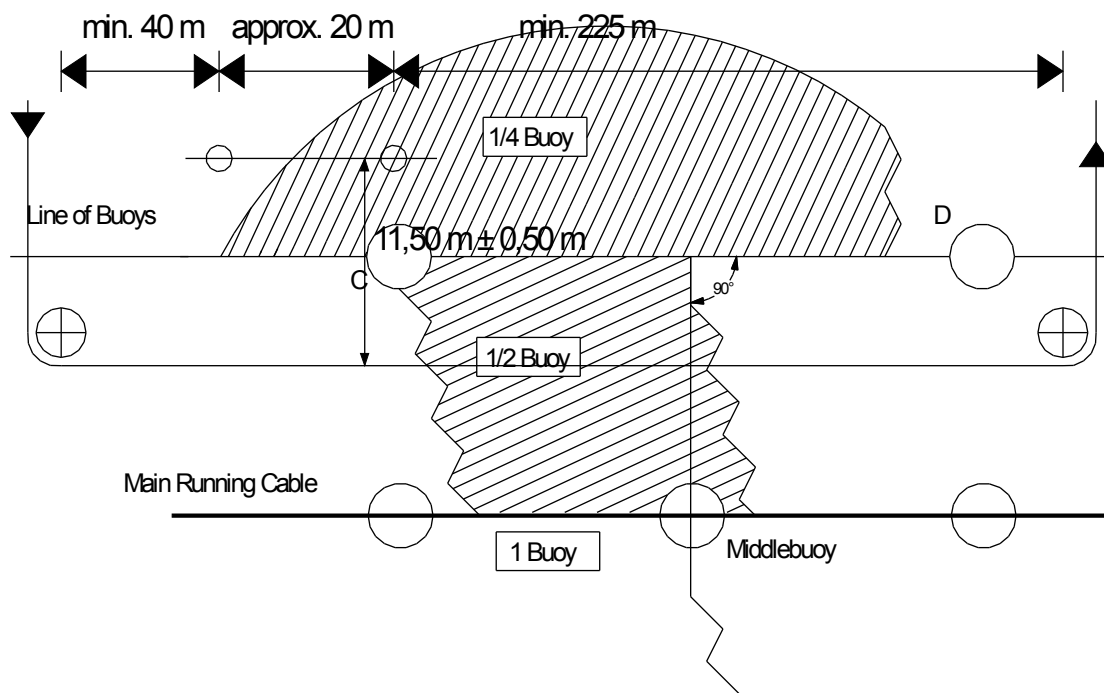
(off line) axis - middle line buoys = 0,00 m ± 0,30 m

Note: The average of the six measured F dimensions cannot be less than 11,48 m

Diagram 10 / Scoring of buoys

Appendix 6. Trick diagrams

Diagram 11 / Trick Course



Region EAME Cableski Additional Rules

Rule 1. Rules for Cableski Officials

Rule 1.1. Officials Cards

Officials Cards are issued by the Region EAME Cableski Council and are valid for the duration of the season in which they are issued.

During one of the first meetings of the year, the Region EAME Cableski Council will renew, on the proposal of the Chairman of the Region EAME Cableski Council the cards of the Cableski Official on the condition that the official:

- a) has been sufficiently active during the season.
- b) has not made too many errors during a competition.
- c) has shown ability to make proper interpretation of the rules.
- d) has not shown himself to be lacking impartiality.
- e) has not refused, without good reason, to accept to do what was required of him by the Chief Judge of the competition at which he was present.

In order to be taken into consideration a negative report c, d, e, and g must be sent within two weeks of the competition to the Chairman of the Region EAME Cableski Council. This report should be drawn up by a member of the Region EAME Cableski Council or by the Chief Judge of the competition in question. The Region EAME Cableski Council will after due deliberation, decide whether the circumstances compel the removal of the Cableski Official from the list of Cableski Officials in the interests of the sport. The Cableski Official shall be advised of the withdrawal of his card in a personal letter from the Region EAME Cableski Council.

A Cableski International Homologator who is also a Tournament Homologator, is not required to have homologated a Cableski Competition, but must fulfil the conditions necessary for the renewal of his Tournament Homologation Card.

A 1st Class Cableski Judge will then automatically become a 2nd Class Cableski Judge. He may if he so wishes, present himself for examination for requalification as a 1st Class Cableski Judge, after having served satisfactorily at two International Cableski Competitions in his capacity as 2nd Class Cableski Judge.

Rule 1.2. Participation in Competitions

On receipt of the Cableski Calendar, Cableski Officials shall inform the Region EAME Cableski Council of the Cableski Competition for which:

- a) they are able to participate
- b) they wish to participate

On the basis of these replies the Region EAME Cableski Council will then appoint Cableski Officials to the Cableski Competitions.

A roster for all international competitions on the calendar will be completed by the Region EAME Cableski Council and supplied to all Region EAME Cableski Officials and to the Organising Federations.

A Cableski Official failing to be present or to arrive in time before the start of the competition, without acceptable reason, will be penalised; the first time with a warning, and if he does so again he will not be permitted to function during the next season.

If a Cableski Official wishes to be replaced, for some reason, at a competition for which he was nominated, he must inform, at least 4 weeks before the date of the mentioned, for which he wishes to be replaced, the Region EAME Cableski Council and the Organisers of the competition, so that they are able to provide someone else as a substitute.

Rule 2. Rules for International Cableski Homologators

Rule 2.1. Homologation Dossier

The Homologation Dossier of the competition, together with the Chief Judge's report and all the necessary documents shall be sent within two weeks of the end of the competition to the Region EAME Cableski Council.

In case of a delayed mailing of the Homologation Dossier to the Region EAME Cableski Council, the Homologator:

- a) will receive, after the initial delay, a warning

- b) after any further delay, the Region EAME Cableski Council will at once withdraw his Card from the Homologator.

Rule 3. Rules for National Officials

Rule 3.1. Responsibility

National Officials, such as 3rd Class Cableski Judges, National Cableski Calculators, National Cableski Homologators and National Technical Officers, are responsible to and under the responsibility of their National Federation.

Rule 3.2. Rights

When appointed to an International Calendar Competition, a National Official is entitled to such rights and reimbursements of expenses as are specified in the Bye-Laws, Obligations and Additional Rules.

Rule 3.3. Functions

All National Officials are qualified to function at Normal Homologated competitions.

Rule 3.4. Appointment to Panels

A National Cableski Official may be appointed to the panel of a National or International Non-Calendar Competition by his Federation. In the case where the Region EAME Cableski Council is unable to appoint a full panel to an International Calendar Competition, it may appoint a National Cableski Official.

Rule 3.5. Examinations

Federations are solely responsible for the examination of National Officials.

Rule 3.6. List of National Cableski Officials

Each Federation shall send a list of its National Officials to the Region EAME Cableski Council before the 1st March every year and updated the list during the season. Only Cableski Officials appearing on the list will be considered by the Region EAME Cableski Council as qualified National Cableski Officials.

Rule 4. Officials Seminar for Judges, Officials, Calculators, Technical Officers and Homologators

Rule 4.1. Responsibility and Purpose

The Region EAME Cableski Council is responsible for organising an annual Officials Seminar. The purpose of this seminar is to provide Cableski Judges, Cableski Homologators, Technical Officials and Cableski Homologators with:

- further education in judging and scoring.
- information on the latest rule changes and their interpretation.
- practical trick writing, judging and scoring.
- a trick writing and scoring evaluation.

Rule 4.2. Attendance

1st Class Cableski Judges, International Cableski Calculators, and International Cableski Homologators are expected to take part in the Officials Seminar at least once every 3 years. Any 1st Class Cableski Judge who wishes to officiate at any World, Region or European titled event or Cash Prize 1 competition is required to have attended one seminar within the previous 3 years.⁹ 2nd Class Cableski Judges are welcome to attend, but if they upgrade to 1st Class Cableski Judges within three years of their attendance, this would NOT be counted for qualification for major events.

⁹ In order to qualify as „attended“, an official must attend the majority of sessions during the seminar.

Rule 4.3. Date and Venue

Federations wishing to host the seminar should apply in writing to the Region EAME Cableski Council who will, as far as possible, announce dates and venues at least two years in advance of each seminar.

The venue should move around the Region, offering an equal chance to officials from all countries to attend. This will be taken into account when allocating seminar venues.

The date should be in spring or autumn of any year.

Rule 4.4. Costs

Each individual attending the seminar is responsible for his own costs of travel and accommodation. Region EAME will provide the meeting rooms and lecture facilities.

Rule 5. Region EAME Cableski Championships